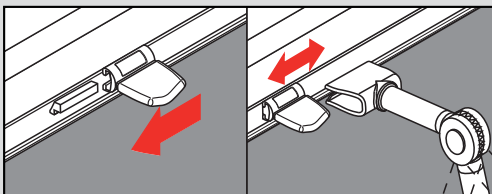
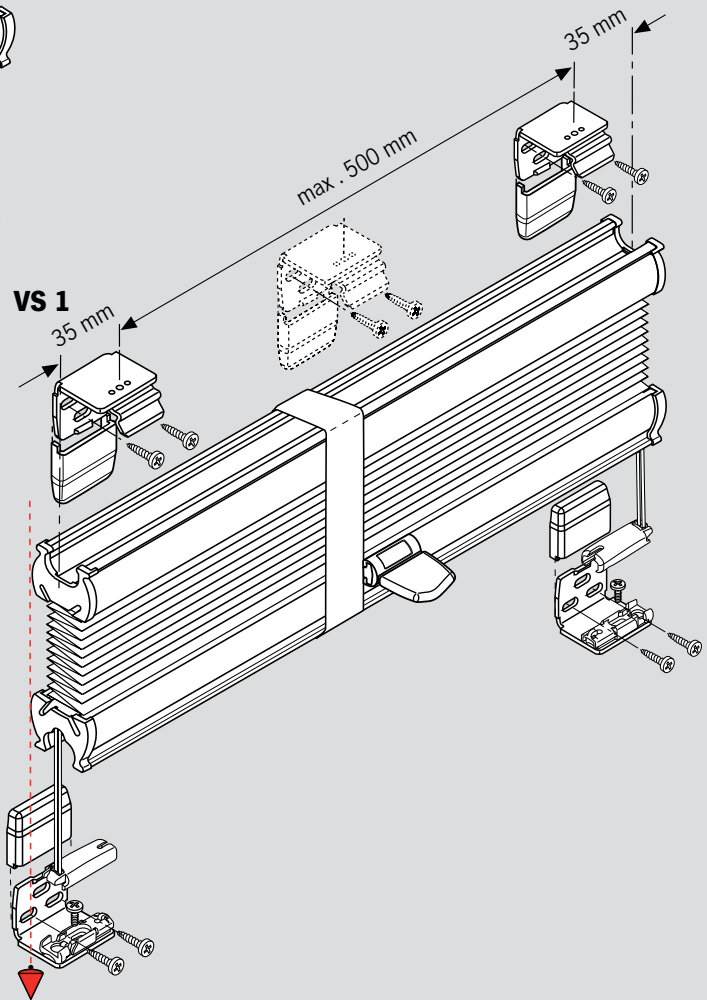
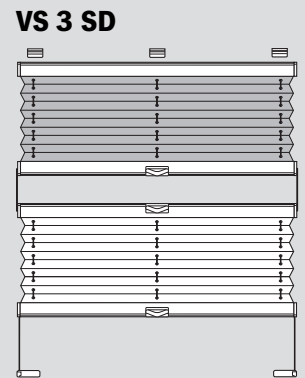
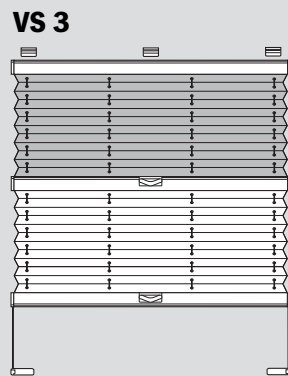
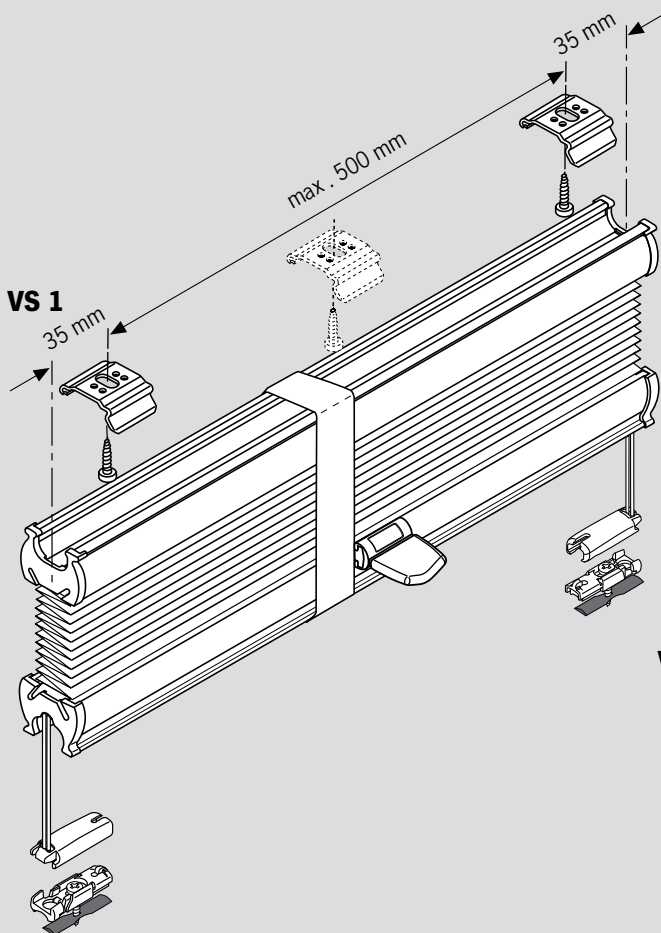
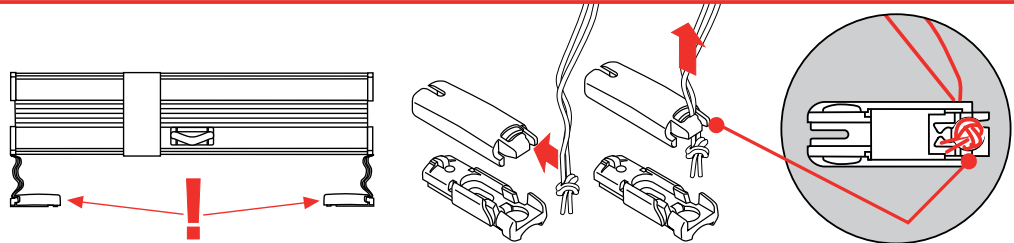


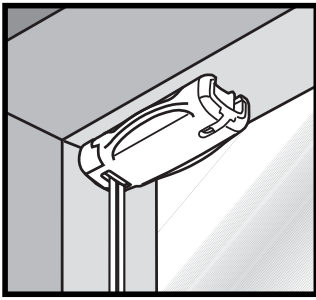
ASSEMBLY MANUAL: PLISSE BLINDS FOR WINDOW

Plisse with a fixed head rail "VS 1",
Dual Fabric Plisse with a fixed head rail "VS 3",
Dual Fabric Plisse with a fixed head rail and devided centre
"VS 3 SD"



Important!

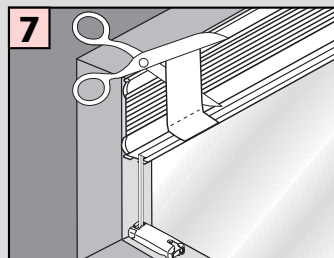
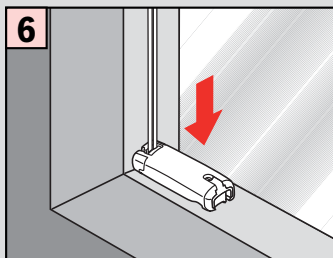
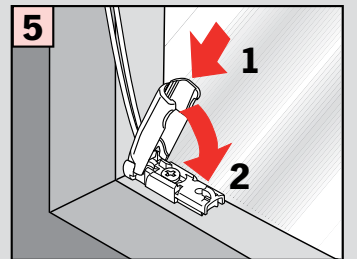
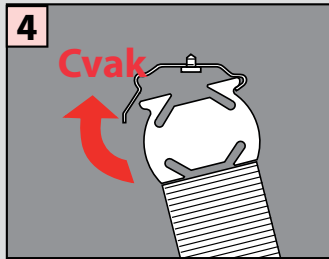
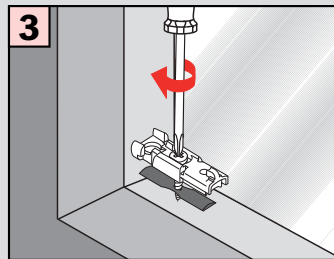
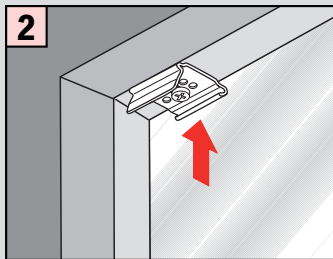
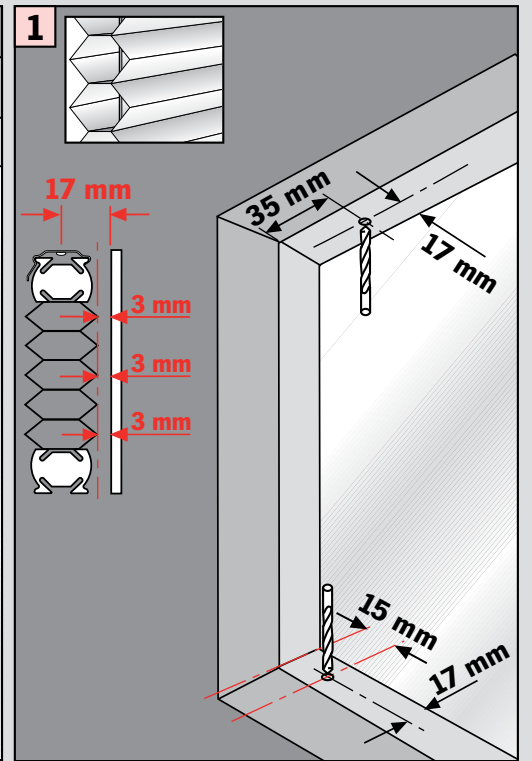
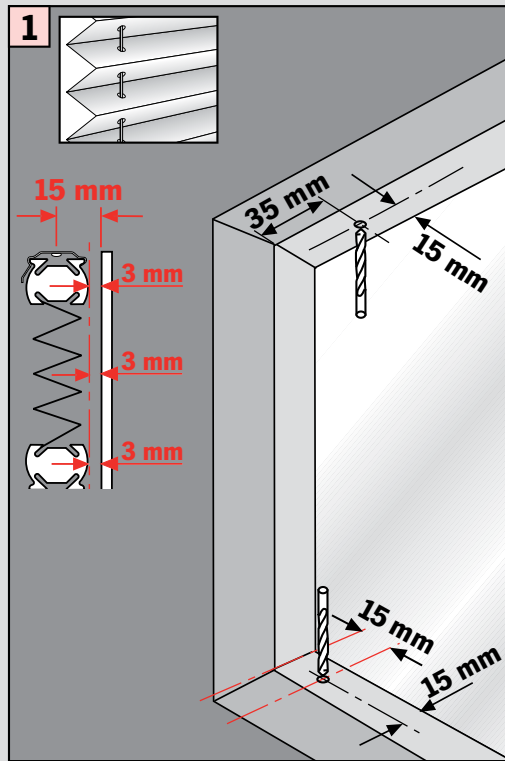
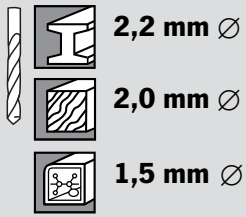




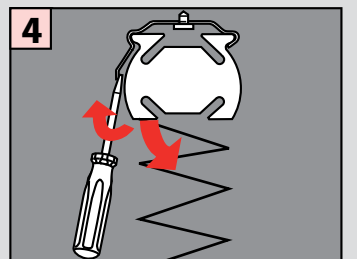
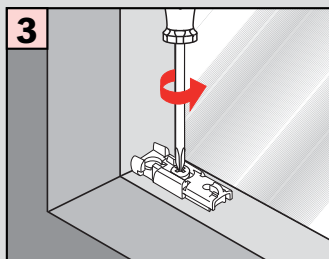
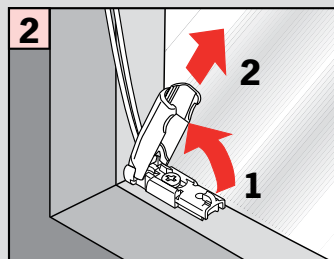
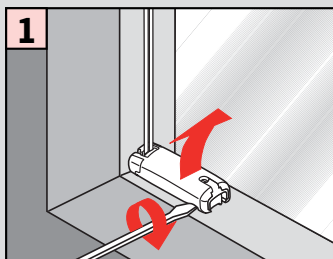
Top fixing (CA fixation)



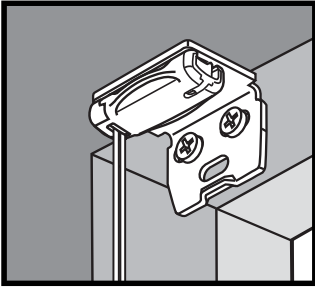
Fitting



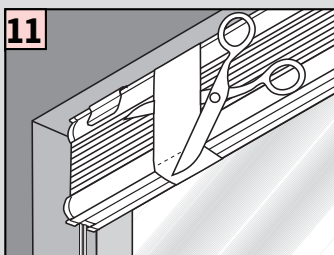
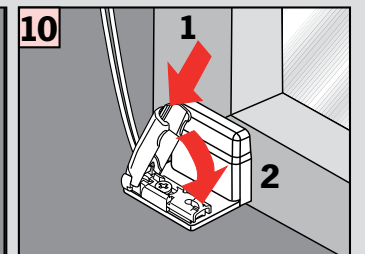
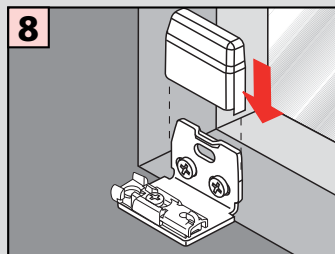
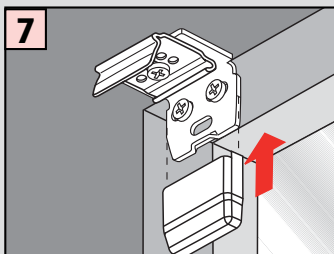
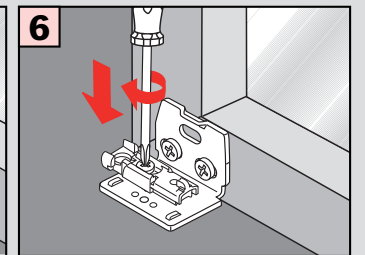
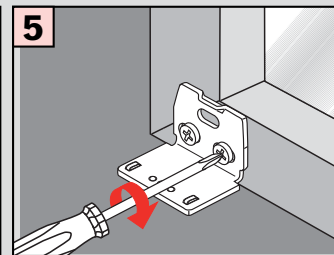
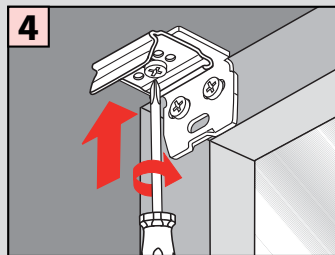
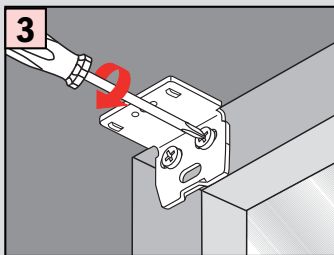
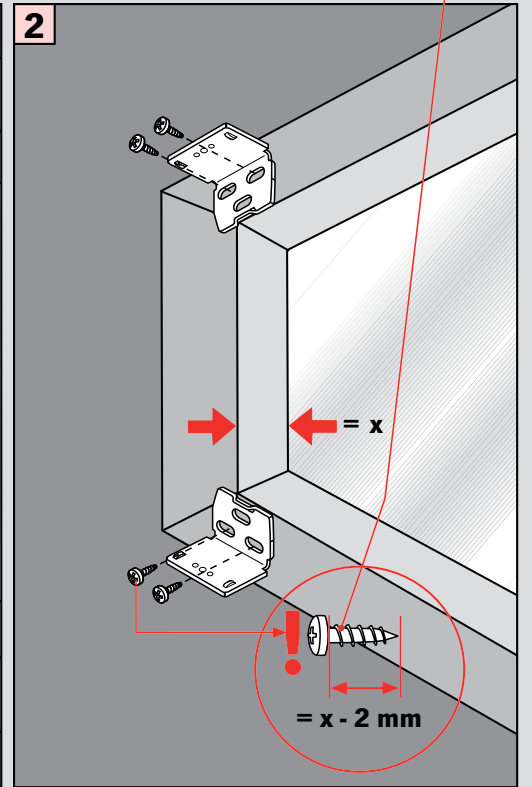
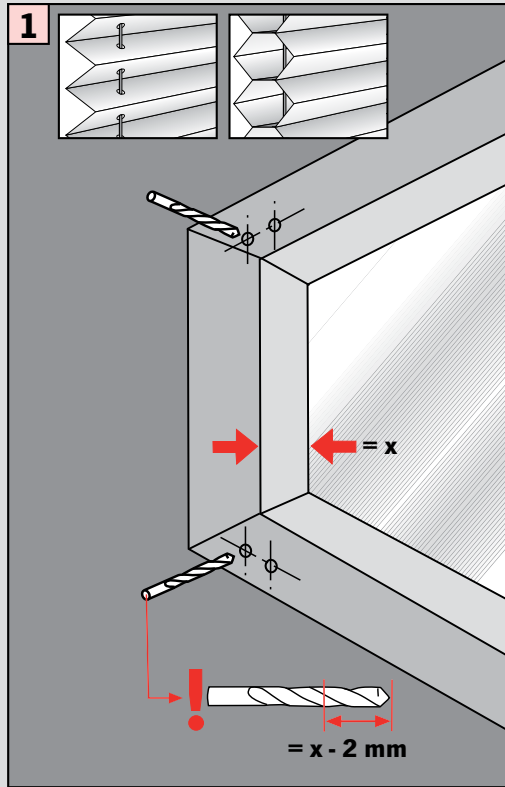
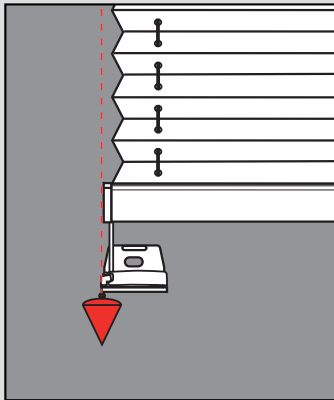
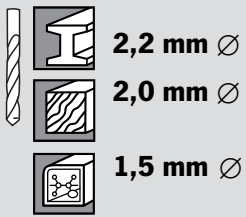
Disassembly



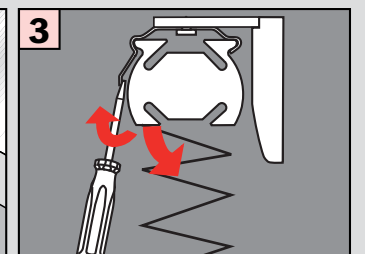
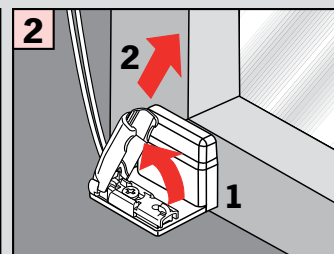
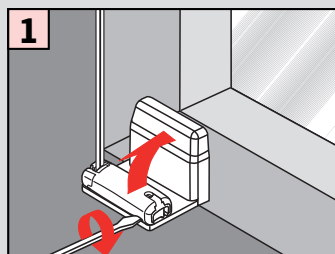
Face fixing (CB fixation)



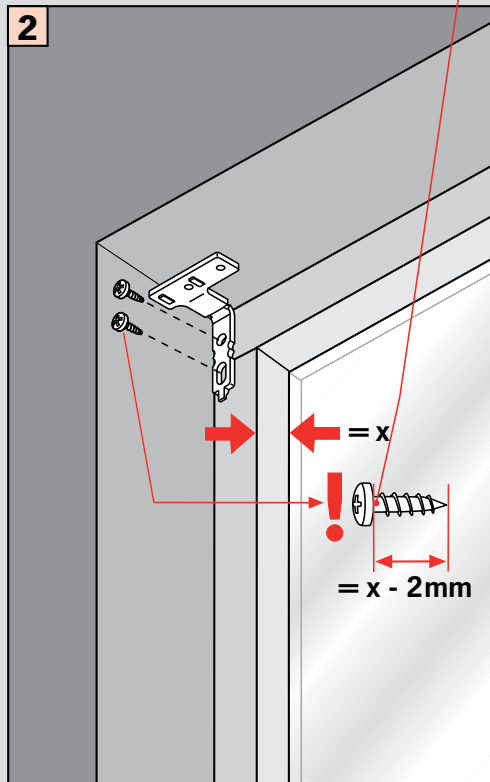
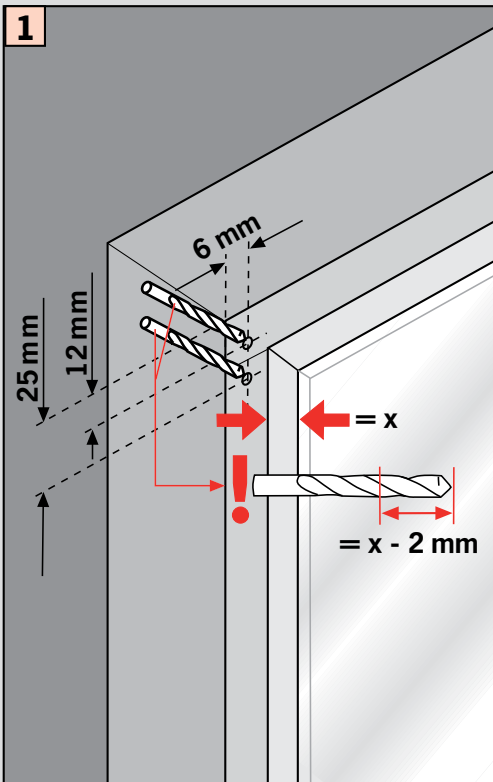
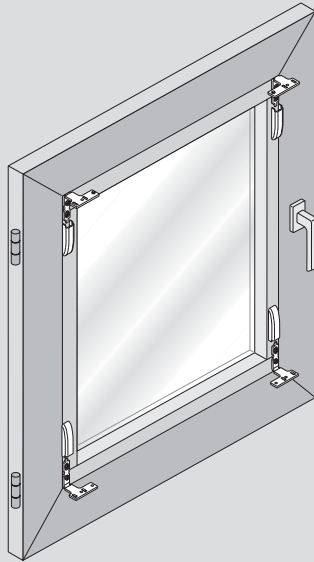
Fitting



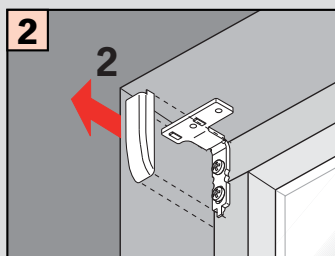
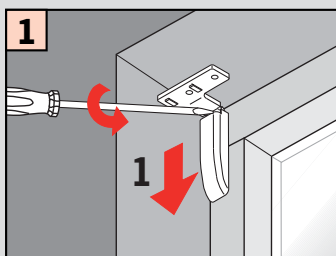
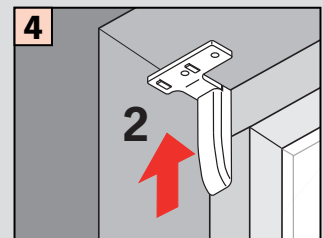
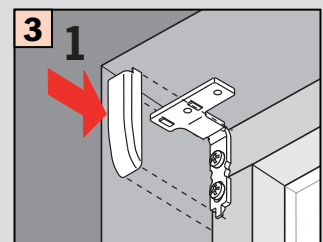
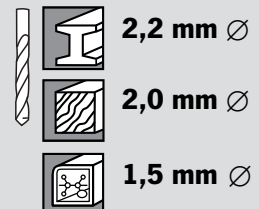
Disassembly



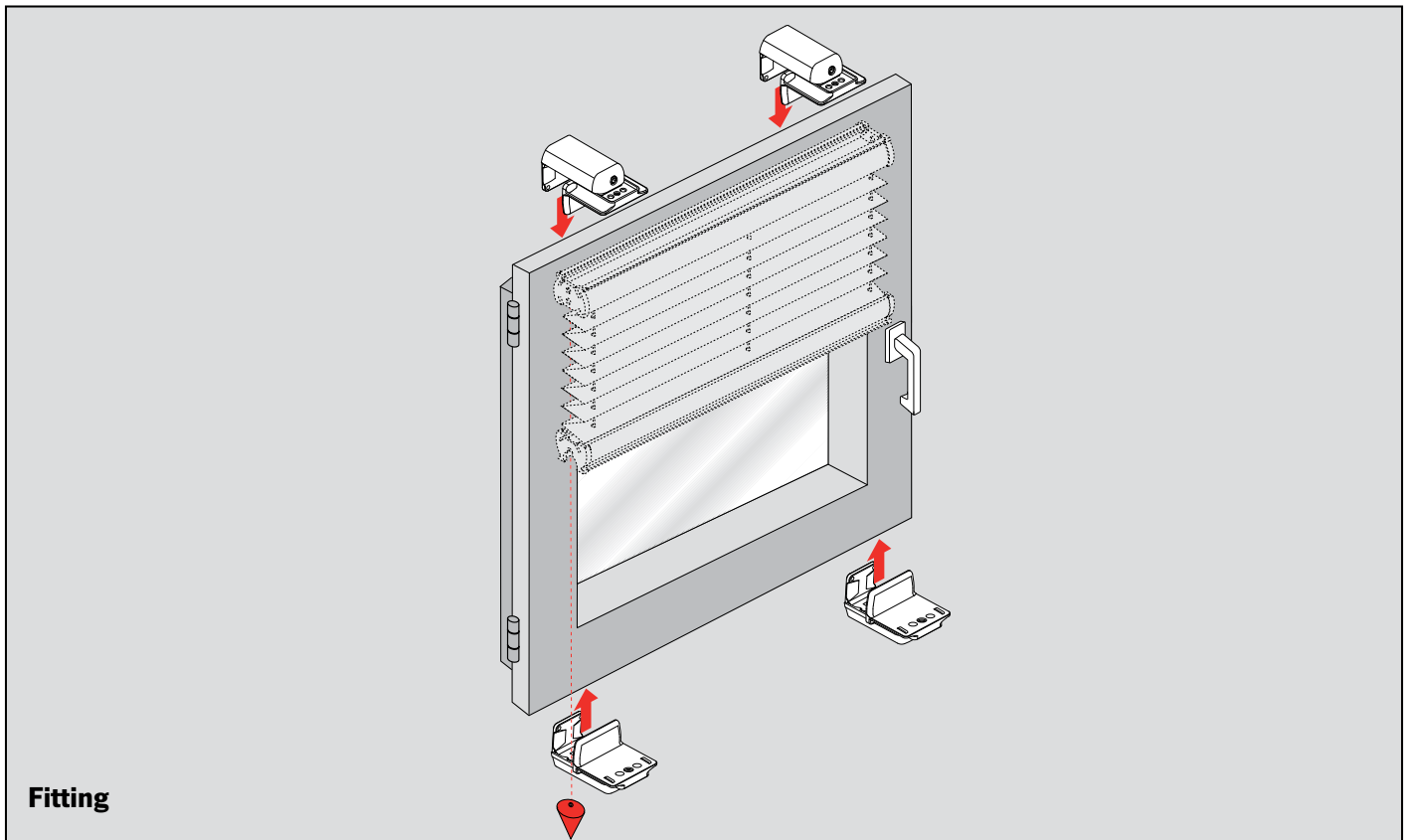
Assembly to window bar
(L fixation with beading bracket)



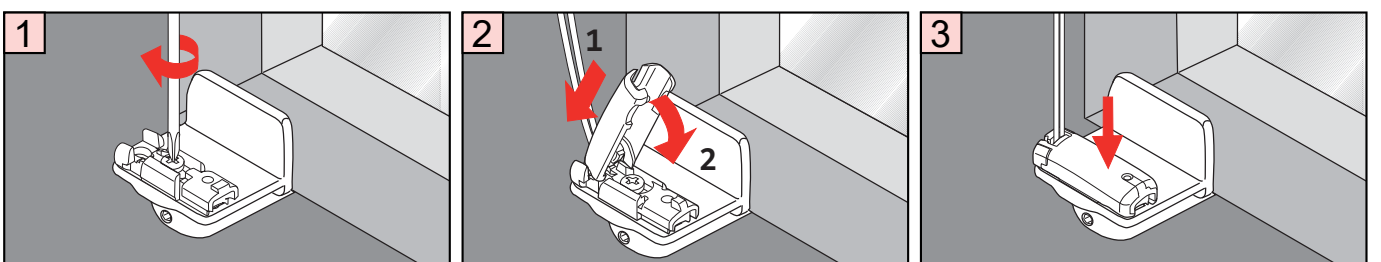
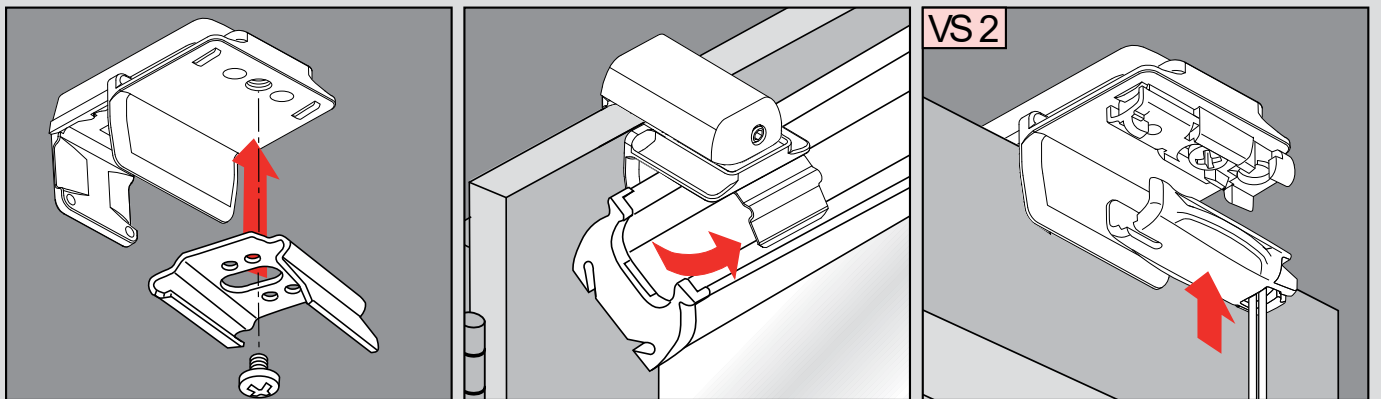
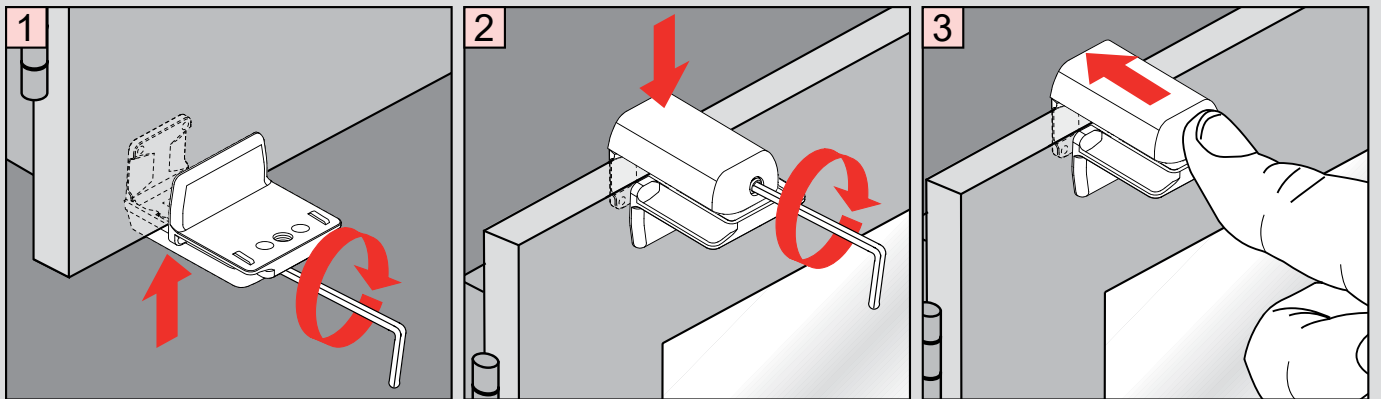
Fitting



Disassembly



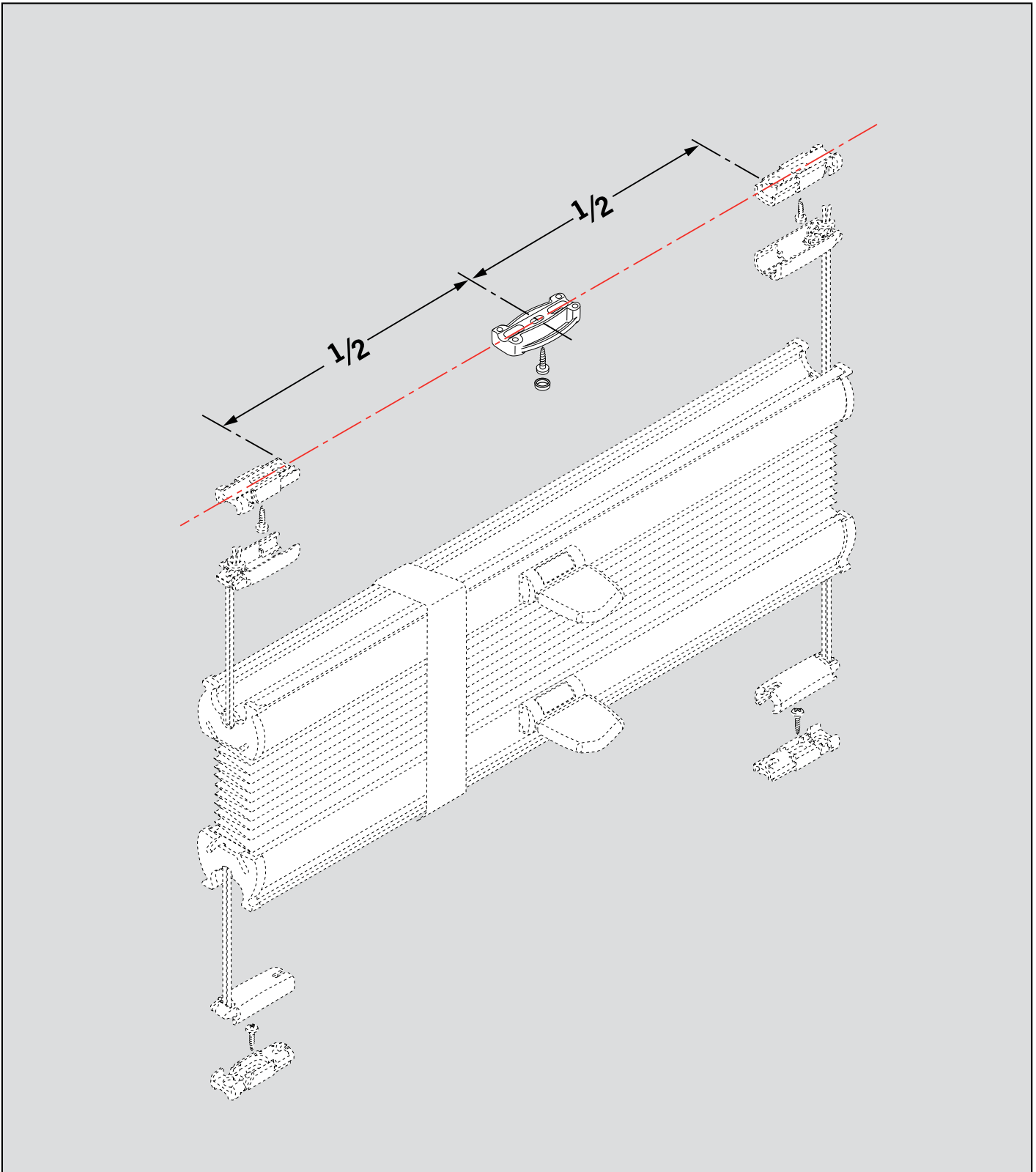
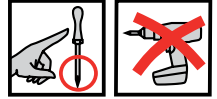
Fitting

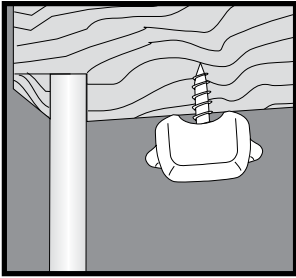


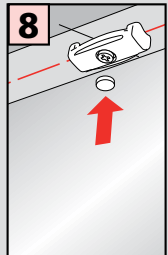
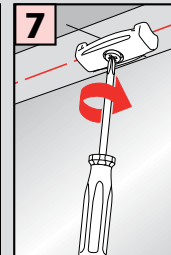
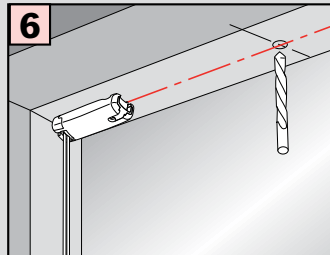
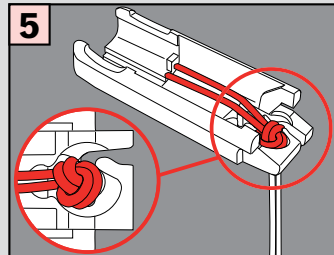
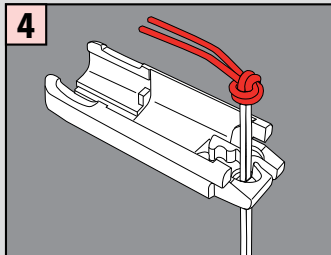
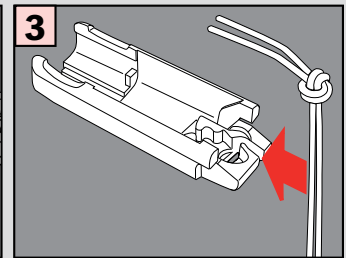
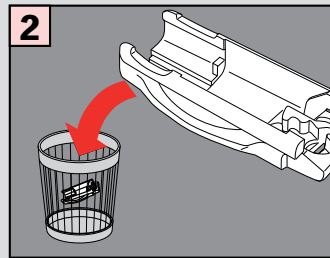
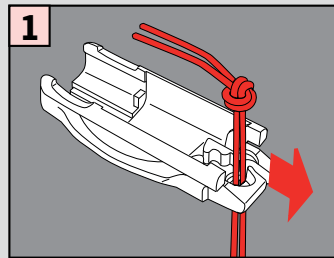
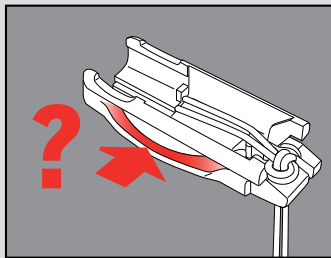
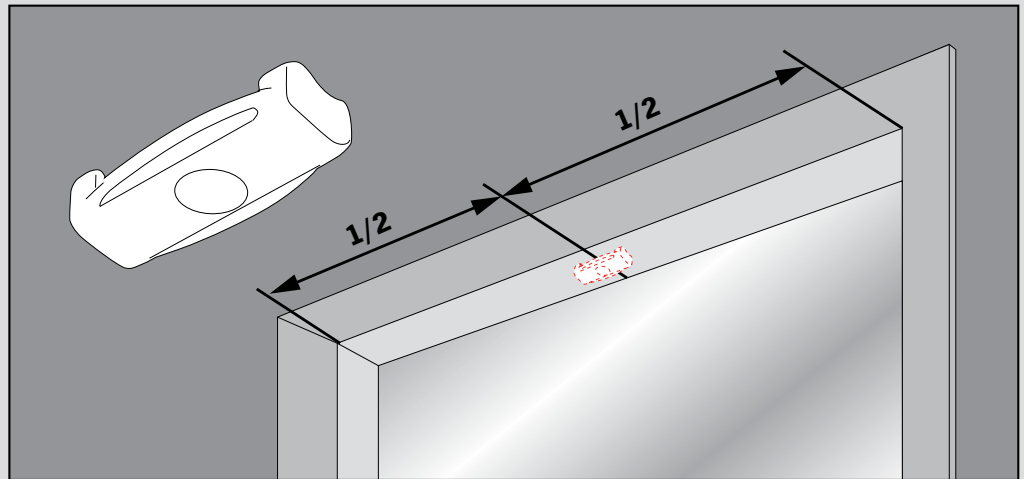
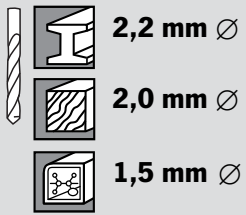
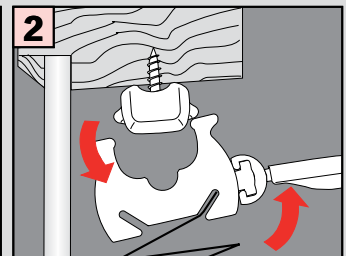
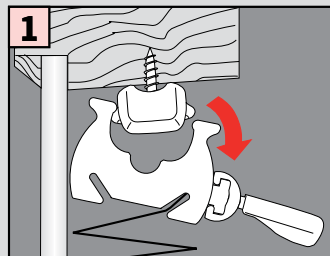
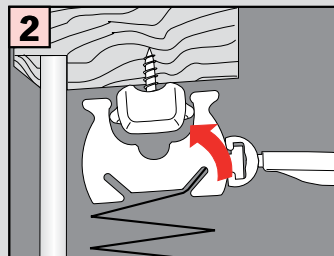
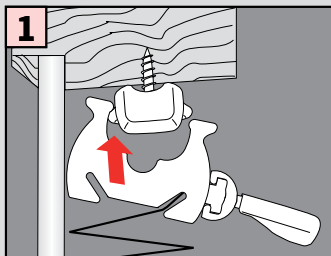
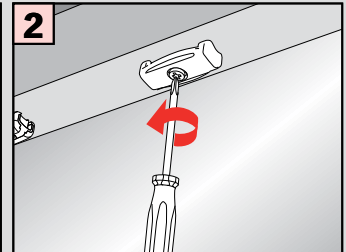
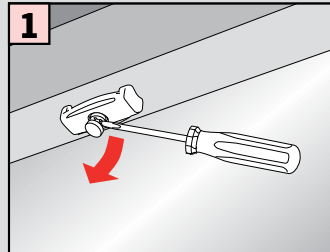


Snap mechanism VS

Important! Please keep together with care instructions!



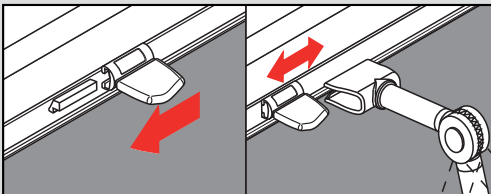
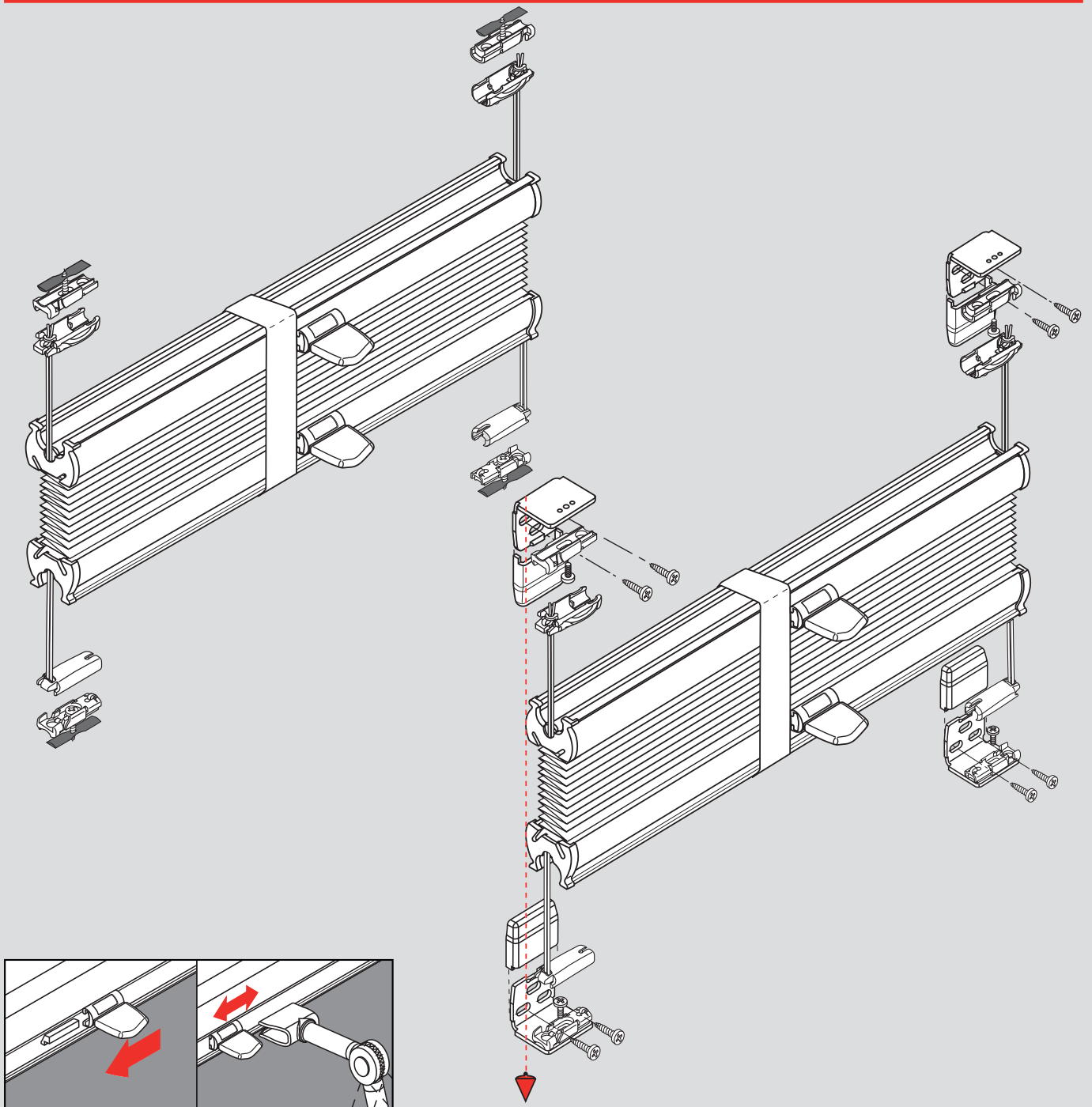
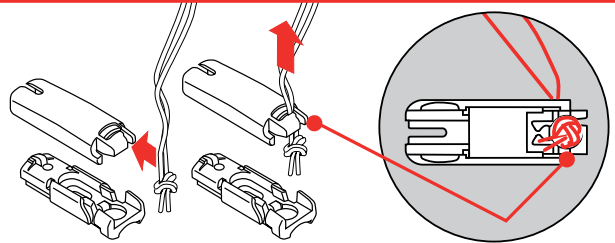
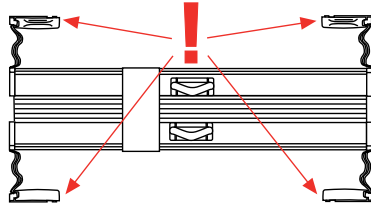

Top fixing (CA fixation)

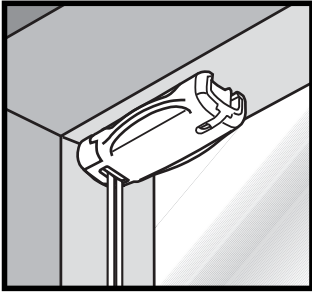
Fitting

Close
Open

Disassembly


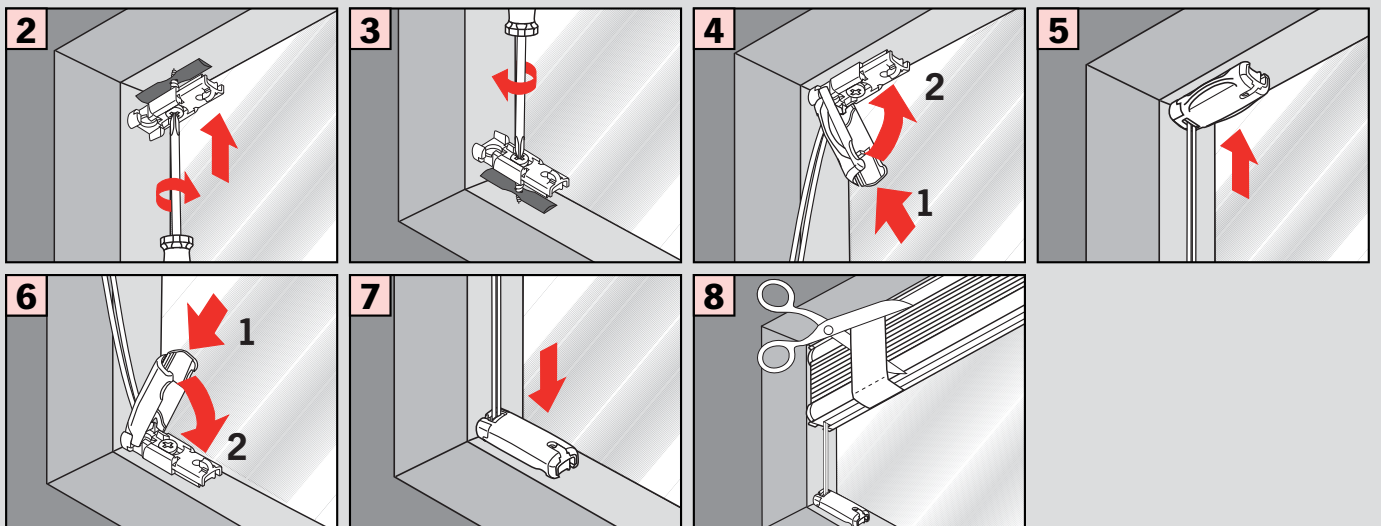
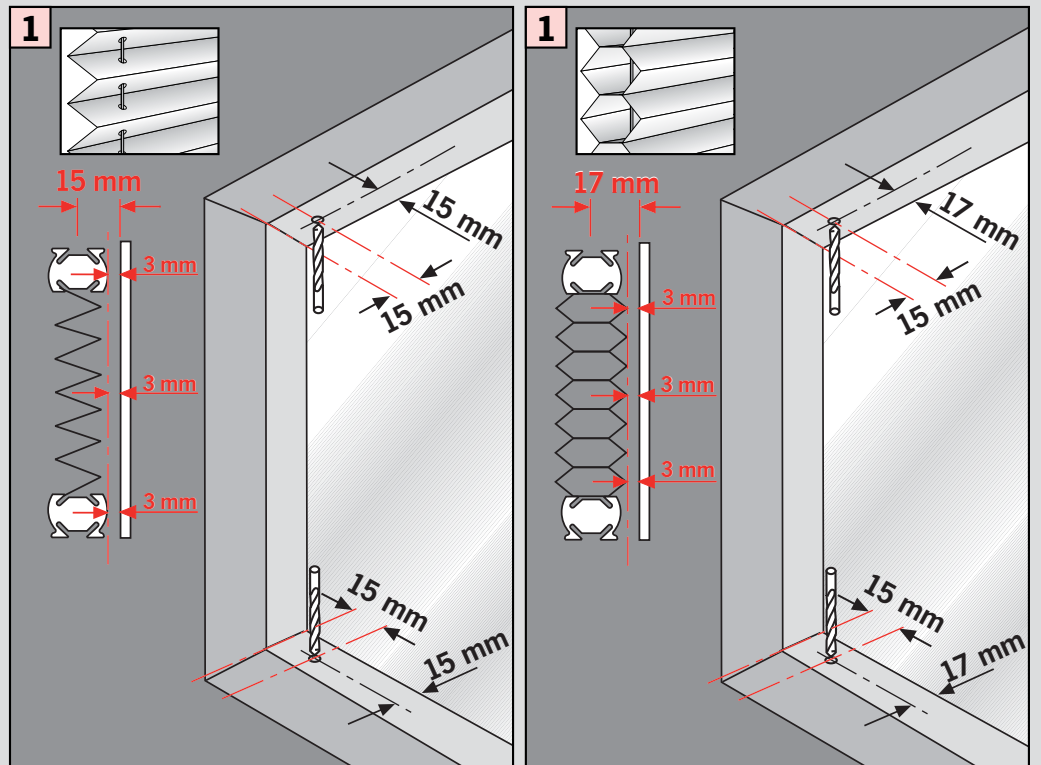
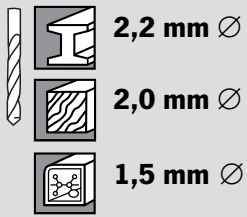
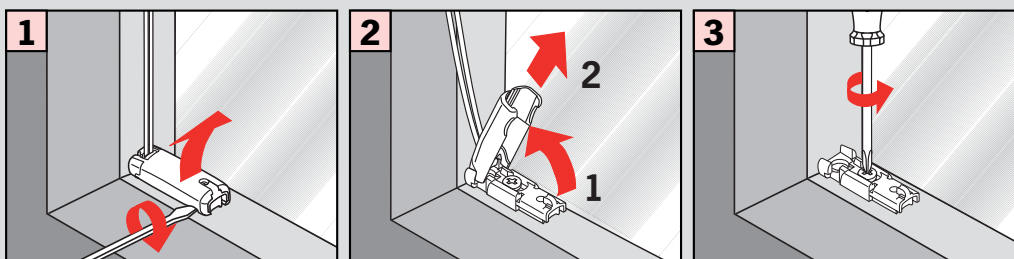


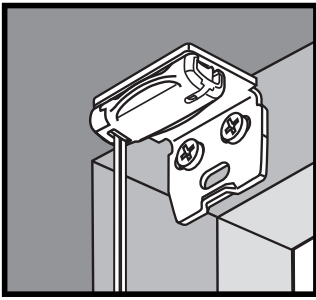
Plisse with sliding head and base rails "VS 2"

Important!

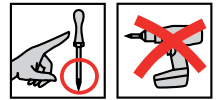



Top fixing (CA fixation)

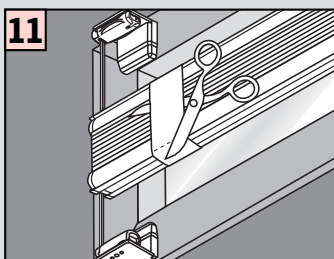
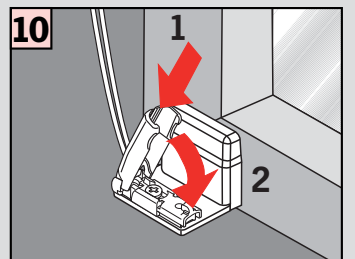
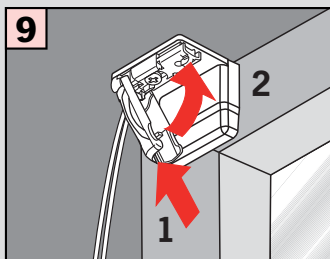
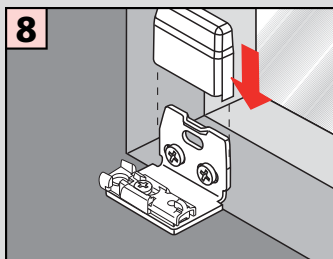
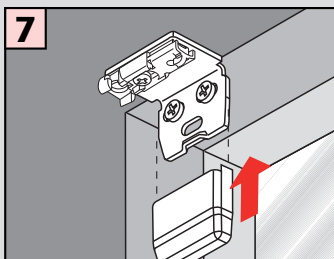
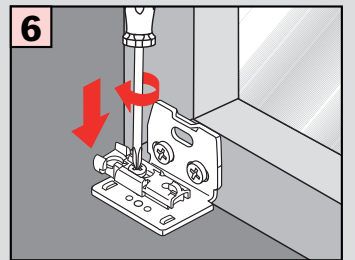
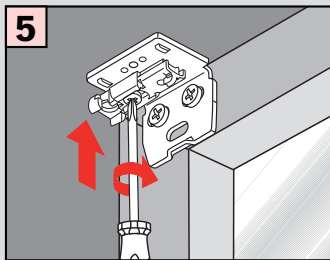
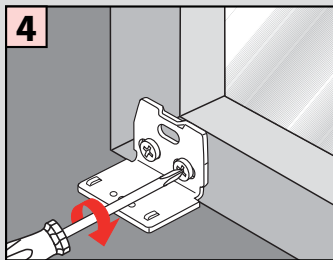
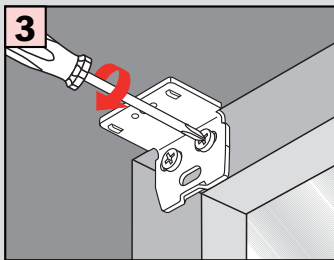
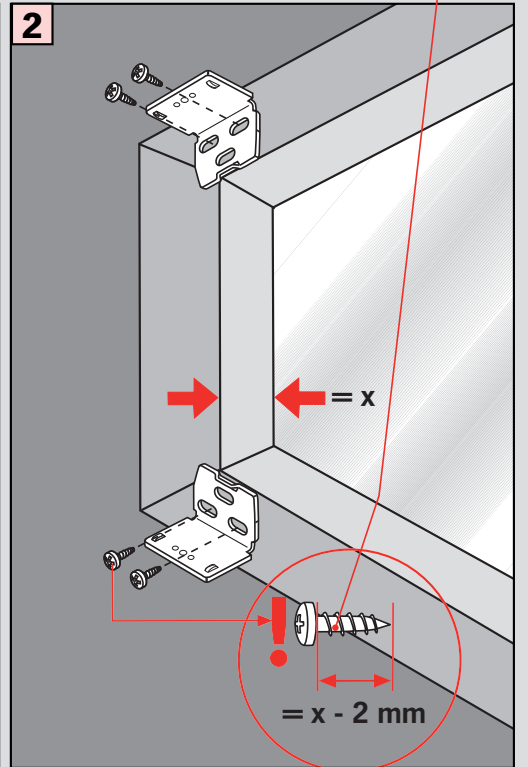
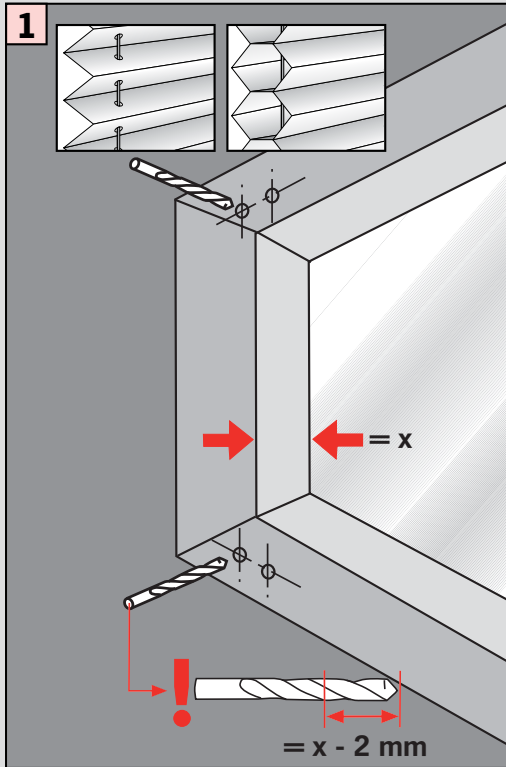
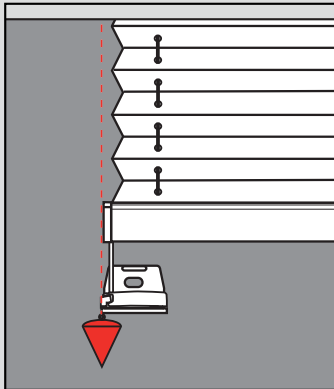
Fitting

Disassembly




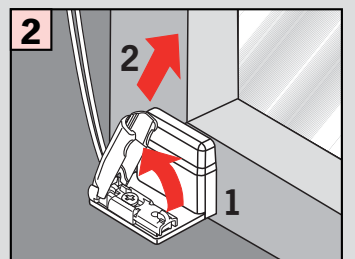
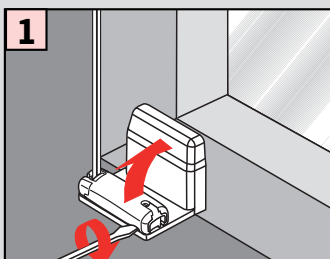
Face fixing (CB fixation)



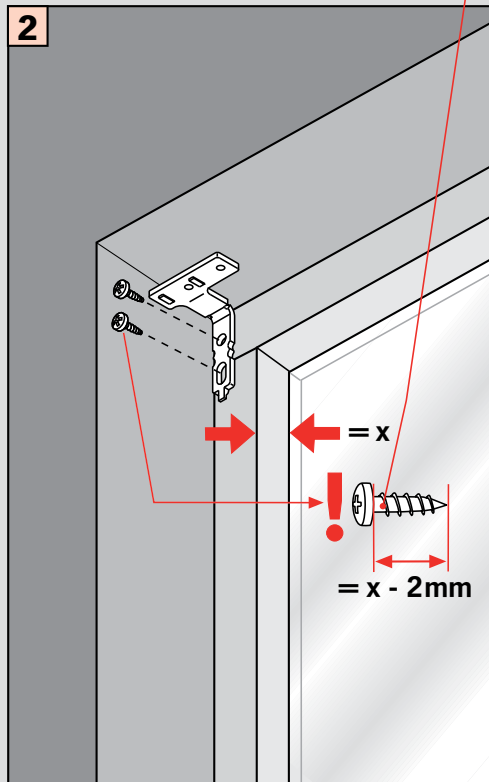
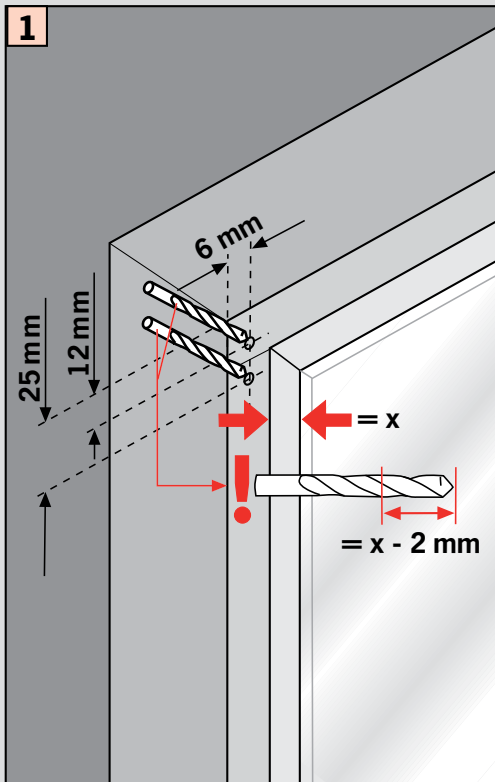
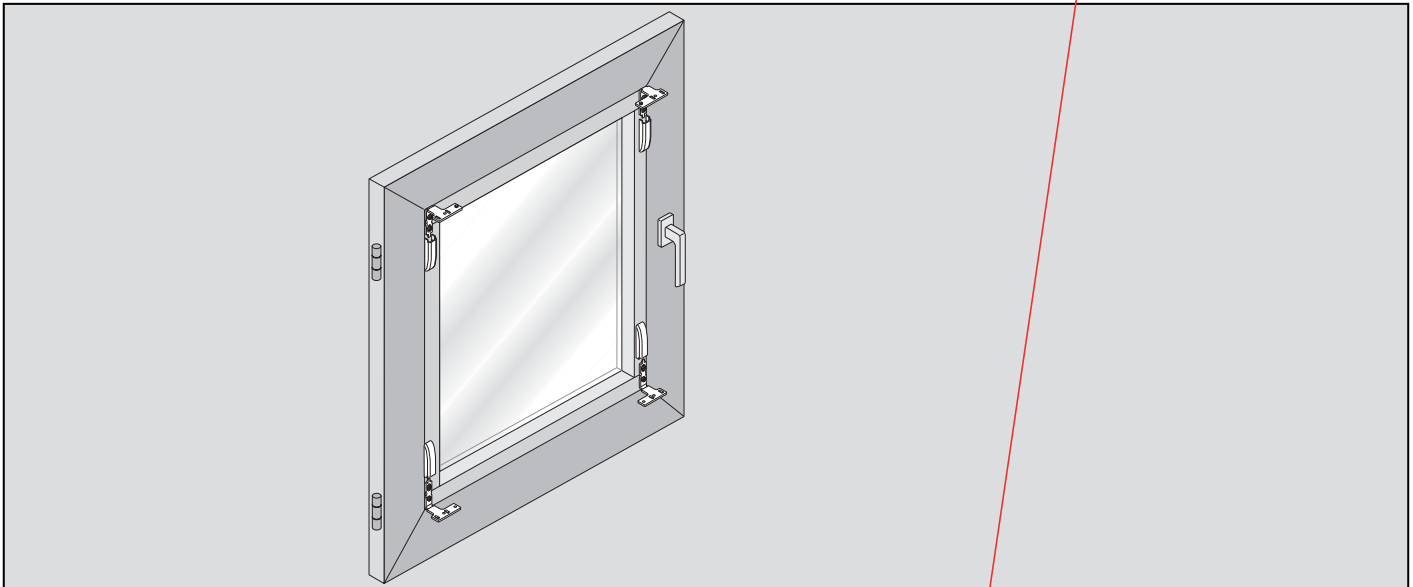
Fitting



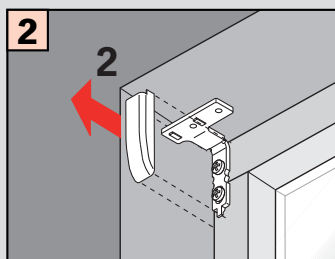
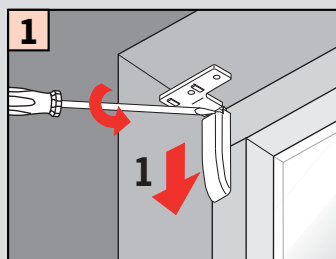
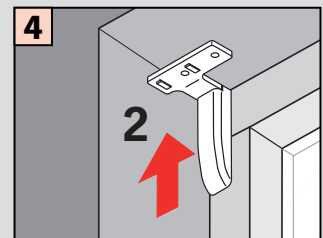
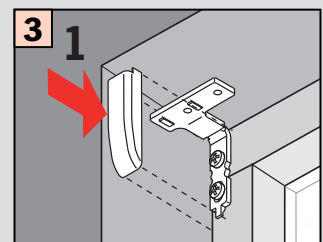
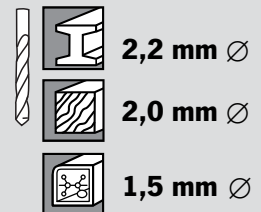
Disassembly



Assembly to window bar
(L fixation with beading bracket)



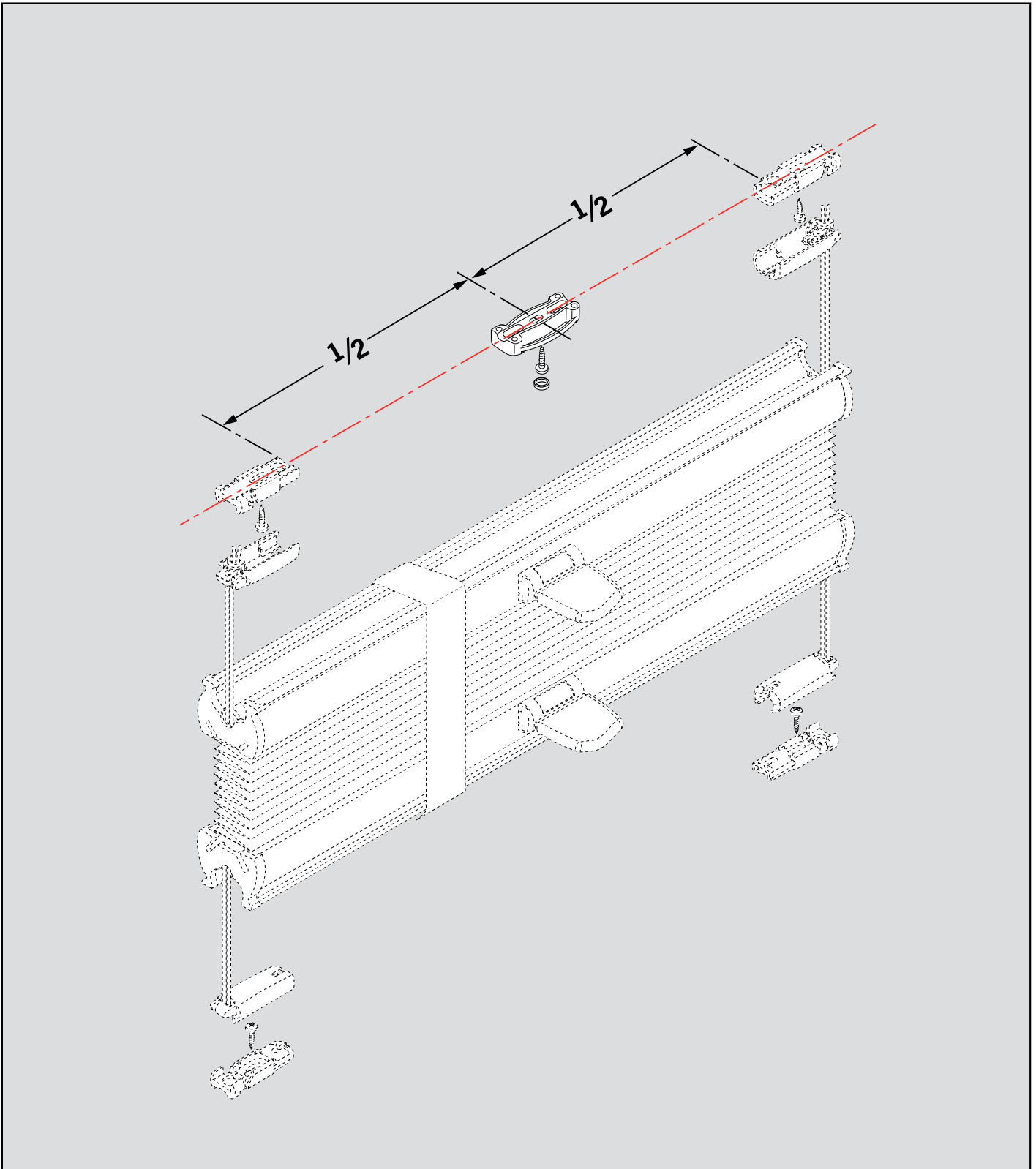
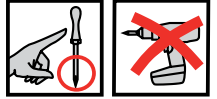
Fitting

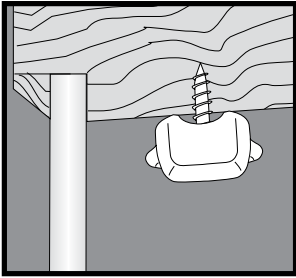


Disassembly

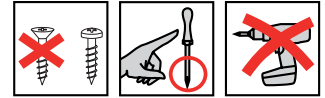
Snap mechanism VS

Important! Please keep together with care instructions!






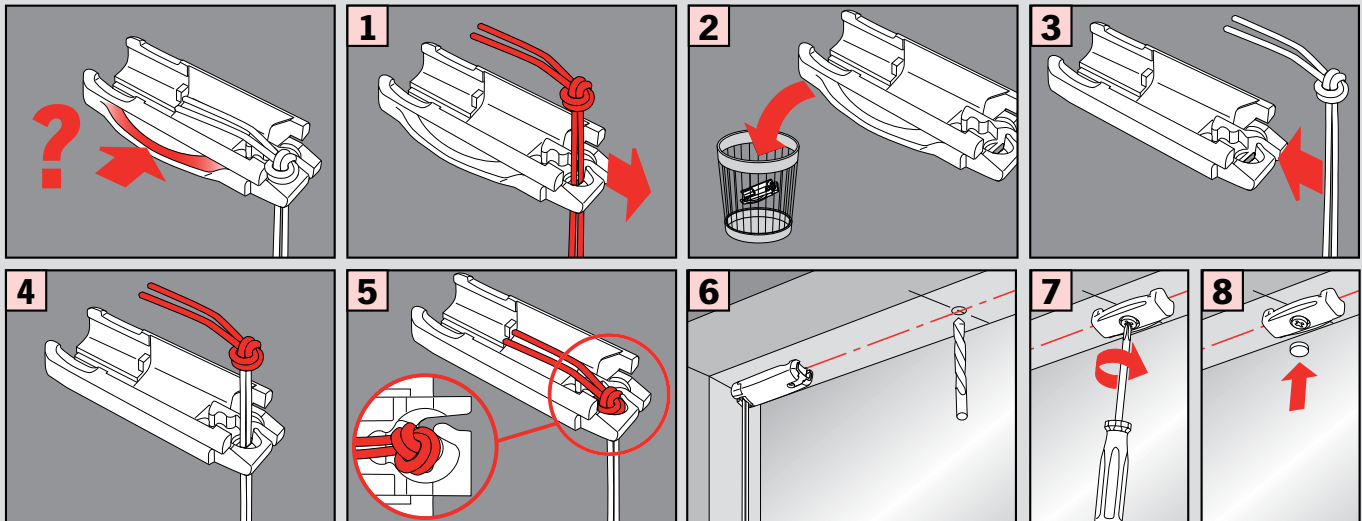
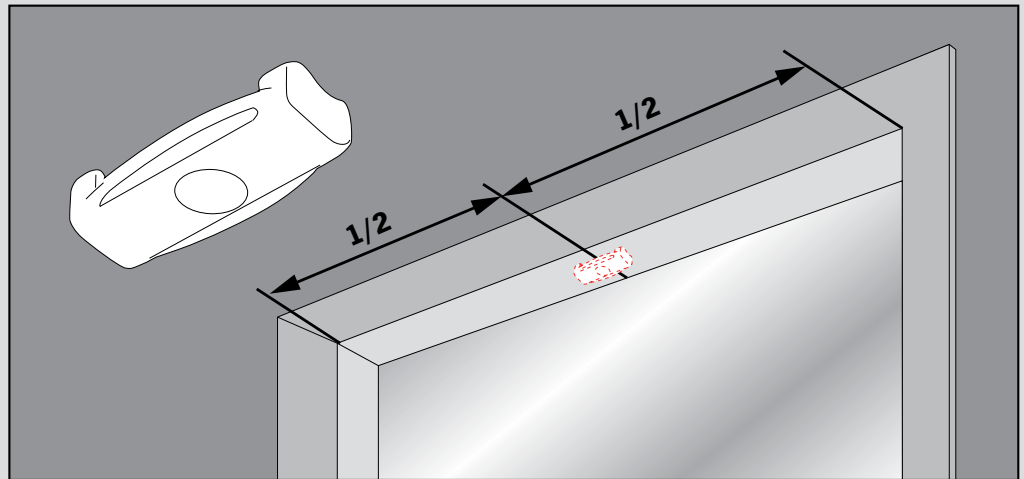


Top fixing (CA fixation)



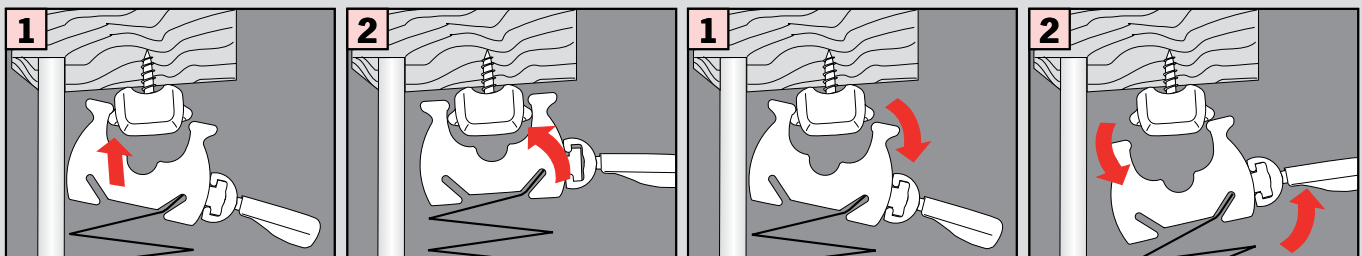
Fitting

-  2,2 mm Ø
-  2,0 mm Ø
-  1,5 mm Ø



Close

Open



Disassembly

