



ASSEMBLY MANUAL:

JAPANESE SLIDING PANELS

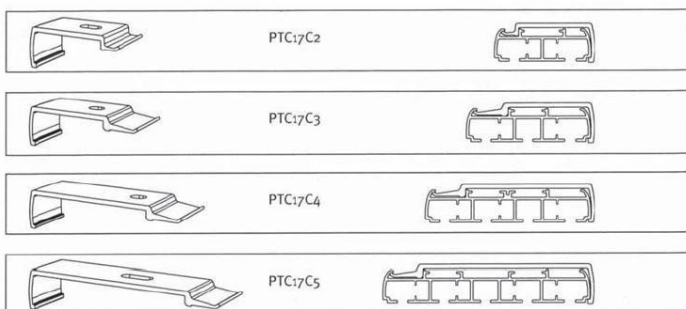
INSTALLATION

During installation please follow only this manual to avoid unnecessary missteps and mistakes.

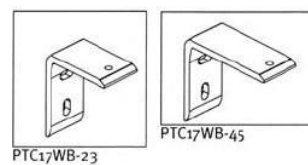
Number of holders:

Width (mm)	Number of holders
< 1000	2
1000 – 1800	3
1800 – 2600	4
2600 – 3400	5
3400 – 4200	6
5000 – 5800	7

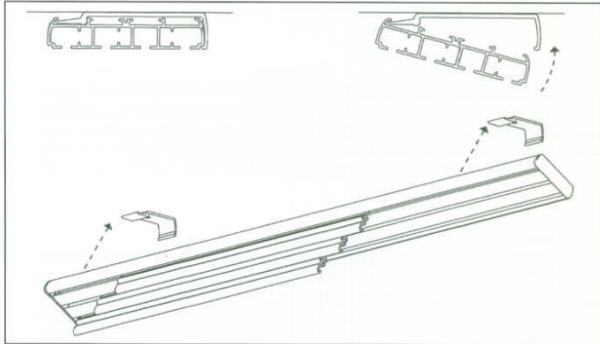
Ceiling attachments



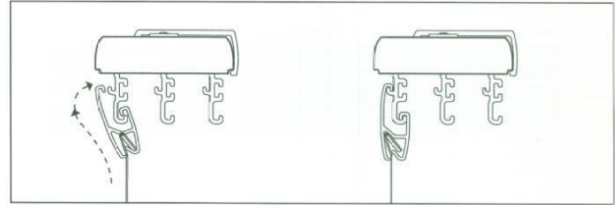
Wall brackets



Head rail assembly (pic no.1)



Panel mount (pic no.2)



HELPFUL ASSEMBLY TOOLS:

- measure tape
- pencil
- spirit level
- electric hand drill with bits recommended in the manual
- cordless drill driver
- magnetic bit holder, PZ2 bits
- hammer
- screws, wall plugs
- knife, scissors

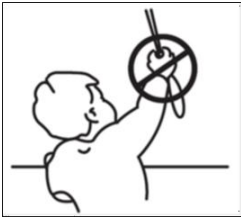
a) installation in the ceiling

- based on number of clips delivered, drill that many holes
- use the crews to attach the clips (use the appropriate screw length based on the wall material)
- click the head rail in the clips (see pic no.1)
- mount the fabric panels to the head rail (see pic no.2)

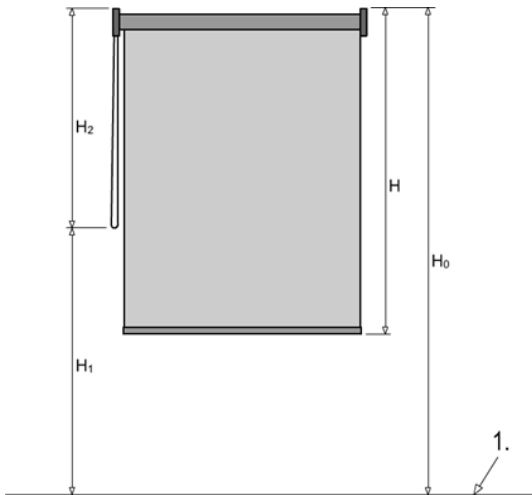
b) installation on the wall

- attach the on wall installation consoles to the ceiling attachments
- then proceed the same way as with installation in the ceiling as described above
- make sure the head rail is always straight and levelled
- mount the fabric panels to the head rail (see pic no.2)

ATTENTION!!!



According to the EN 13120:2014 regulation the japanese blinds must be installed following these instructions:



Cord handling:

Japanese blinds must meet these requirements:

When fully opened, cord length is limited due to EU regulations

If the installation height (H_0) is not specified and:

- i) If the blind's height (H) is equal or less than 2,5m, the length of the cord (H_2) must be equal or less than 1m (see picture above): $H_2 \leq 1\text{m}$.
- ii) If the blind's height (H) is more than 2,5m, the length of the cord (H_2) must be equal or less than total blind's height minus 1,5m (see picture above): $H_2 \leq H - 1,5\text{ m}$
- iii) The length of the cord(s) (H_1) must be at least 1,5m (see picture above): $H_1 > 1,5\text{ m}$

Cords must meet these requirements:

In case of dual cord handling the two cords must not get entangled.

