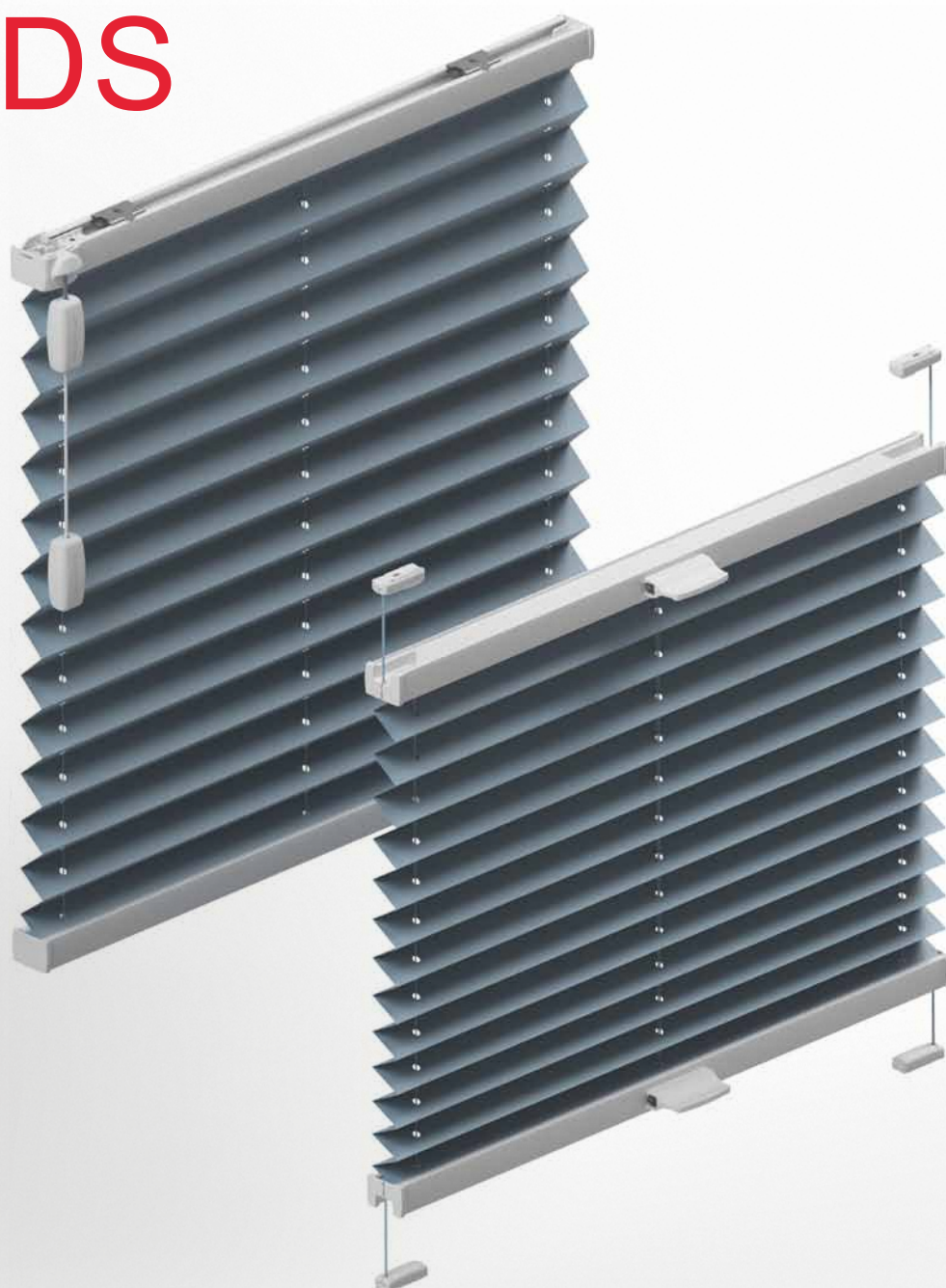


# Labona®

TECHNICAL MANUAL

# PLEATED BLINDS



---

## Table of Contents

Types of plisse blinds .....	3
Colour variants of profiles and plastic parts .....	5
Controls.....	6
Photometric values of plisse blinds .....	9
Important notes regarding child safety .....	10
Maintenance of plisse blinds.....	11
Plisse blinds with lateral guides and free-hanging for vertical rectangular windows .....	12
Plisse blinds with lateral guides and free-hanging for special shapes of vertical windows .....	18
Plisse blinds for DFC roof windows with lateral guide rails .....	26
Ceiling-mounted plisse blinds for rectangular windows.....	28
Ceiling-mounted plisse blinds for special shapes of windows.....	30
Plisse blinds with lateral guides for triangular and arch windows .....	35
Measuring .....	38

---

## **ISOTRA** *Quality*

A brand symbolizing years of tradition, innumerable investments into research and development, use of high-quality materials, technological advancement, reliable work of hundreds of employees and many more parameters, which together form one whole-the final product of the company ISOTRA.

# 1 Plisse blinds with lateral guides and free-hanging

for vertical rectangular windows



VS 1



VS 2



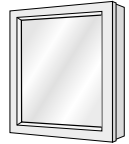
VS 3



VS 3 SD



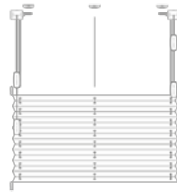
VS 2 Slide Comfort



VS 2 KL



F 1



F 2



F 3

# 2 Plisse blinds with lateral guides and free-hanging

for special shapes of vertical windows



VS 4



VS 4 S



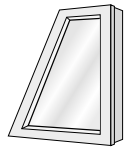
VS 5



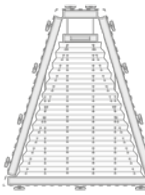
VS 5 SD



VS 6



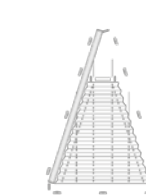
VS 6 SD



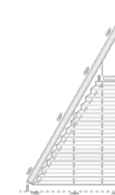
VS 7



VS 8



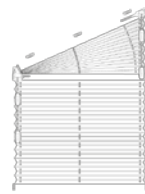
VS 9



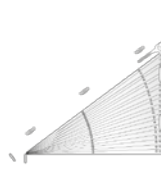
VS 10



F Slope 1



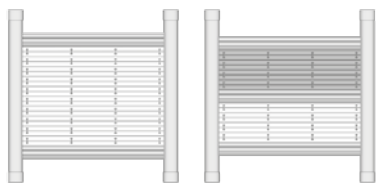
F Slope 2



F Slope 3

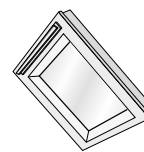
**3 Plisse blinds for DFC roof windows**

with lateral guide rails



DF Comfort 20

DF Comfort 30

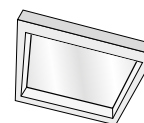


**4 Ceiling-mounted pleisse blinds**

for rectangular windows

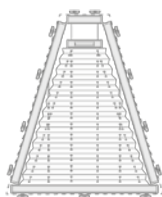


PL 11

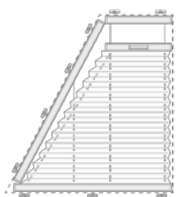


**5 Ceiling-mounted pleisse blinds**

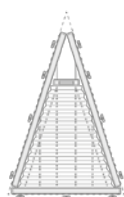
for special shapes of windows



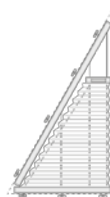
PL 30



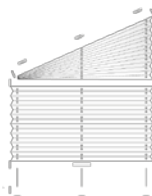
PL 31



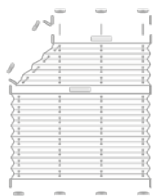
PL 32



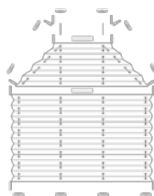
PL 33



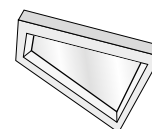
PL 40



PL 41

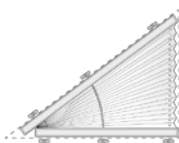


PL 42

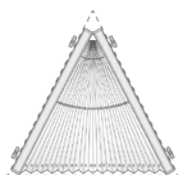


**6 Pleisse blinds with lateral guides**

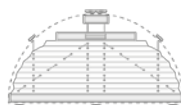
for triangular and arch windows



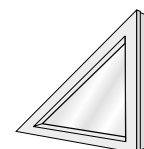
SD 2



SD 3



SR 1S



**7 Measuring**

## Colour variants of profiles and plastic parts

### Colours of rails and plastic components

Most pleated blinds can be supplied with 5 standard colours of the rails: white matt, black-brown matt, anthracite matt, silver anodised, and bronze anodised.

We also offer grey matt and aluminium brushed colours for the individual models (surcharge). The currently available colours can be found on the respective pages for the model types in this price-list and technical part. The rails can also be supplied in RAL colours on request. Prices and delivery dates are available on request.

Rails and plastic components are supplied in the following colours:

	Head and bottom rail	Plastic Components
	01 white matt	01 white
	02 silver (elox)	02 grey
	05 black-brown	05 black-brown
	06 bronze (elox)	06 bronze
	12 anthracite matt	12 anthracite
	03 grey matt Only for VS 2 Slide Comfort and DF Comfort	03 grey

## Controls

### Control for Pre-tensioned pleated blinds



#### Handle

- Orders without specifications are delivered with this handle as a standard.
- Possibility of control with a control rod.

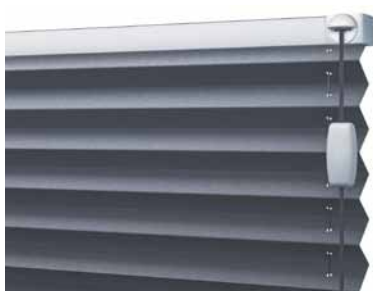


#### Handle bar VS 2 Slide Comfort

- Orders for VS 2 Slide Comfort blinds are generally delivered with the handle bar.
- Thanks to the handle bar, there are no protruding operating elements.
- Possibility of control with a control rod.

### Operation of free-hanging pleated blinds

These model types generally have a fixed head rail and a free-movable hanging with bottom rail.



#### Brake cord control (surcharge)

- The pleated blind is moved to the desired position by operating the cord.
- The cord lock ensures locking.

## Operation of overhead blinds

The tension cords leading through the pleated blind keep the blind parallel to the window.



### Handle

- Orders without specifications are delivered with this handle as a standard.
- Possibility of control with a control rod.

## Control units for roof windows

Special model types and operating options are available for roof window blinds.



### Handle bar (for DFC 20, DFC 30)

- Orders for DFC blinds are generally delivered with the handle bar.
- Possibility of control with a control rod

## Operating aids and fitting options

### Operating rod



#### Jointless operating rod

- in combination with handle for operating rod (DF 20, PL)



#### Operating rod with joint

- in combination with handle or design handle (VS, PL, DF 20, SR 1 S)



#### Operating rod DFC / VS 2 Slide Comfort

- for DF Comfort, VS 2 Slide and VS 2 Slide Comfort blinds with handle bar

### Fitting options for pleated blinds

There are several ways to fit pleated blinds. The appropriate fixing method is chosen depending on structural conditions, wishes and requirements. The made-to-measure pleated blind can be fitted to almost any window or door.



**CA - fitting to the window leaf (VS 2 only)**  
 - for fitting to the window beading or fitting to an angle



**CA - fitting to the window leaf**  
 - for fitting to the window beading or fitting to an angle



**L - fitting to the glazing slot using an angle**  
 - for fitting to the glazing slot



**CB - fitting to the window leaf using an angle**  
 - for fitting to the window frame or to the wall



**BV - fitting to the window leaf without drilling using a clamp**  
 - for fitting to the window frame without drilling



**KL - fitting to the glazing using an adhesive strip (for VS2 Slide Comfort)**  
 - for fitting to the glazing without drilling  
 - with lateral guide and handle bar



**KL - fitting to the glazing using an adhesive strip (for VS2KL)**  
 - for fitting to the glazing without drilling

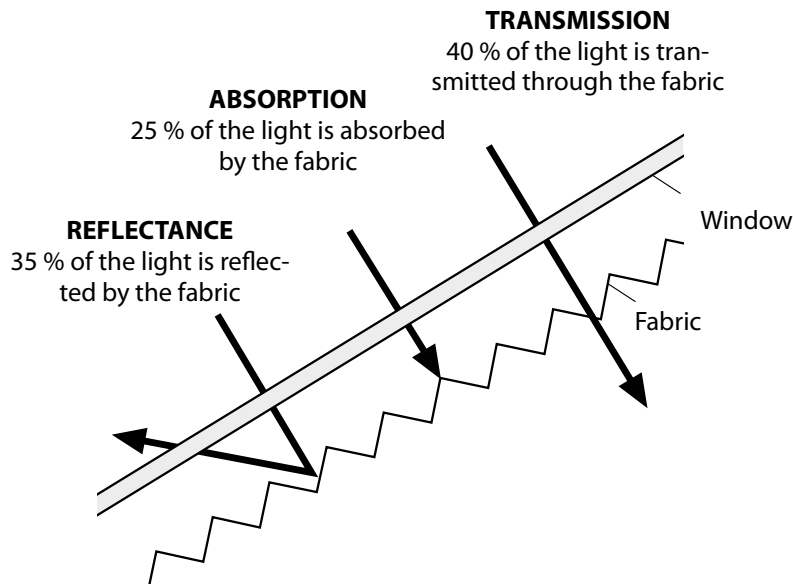


## Photometric values of plisse blinds

The properties of pleated blinds in reaction to light depend on multiple factors – for instance, the weaving method, coating, yarn selection, colour, etc. They influence the optical and thermal-technical effects and ensure that each fabric has unique light technical values. Said values include reflectance, absorption, and transmission, and they add up to 100%. (This does not take into account effects caused by ventilation, glass, fitting method and distance, etc.) Chapter “Fabric properties” specifies the values of reflectance, absorption, and transmission for each fabric.

### Explanation of terms

Example: Fabric No. 10217

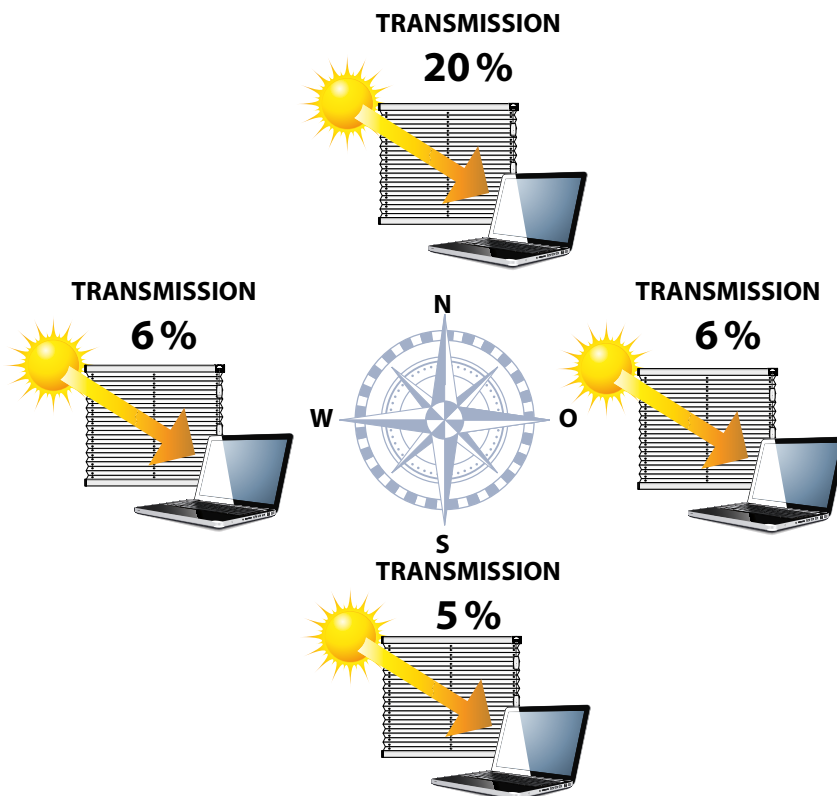


**Reflectance:** In the area of sun protection, reflectance is the percentage of incident sunlight that is reflected back to the outside directly or by diffusion. The more sunlight is reflected, the less percentage passes to the inner space to heat it.

**Transmission:** It is the percentage of sunlight passing through the fabric. The higher is the transmission value, the more luminous is the inner space.

**Absorption:** In the area of sun protection, absorption relates to part of the light that is absorbed by the fabric. The absorbed light usually transforms to heat.

## Suitability for computer workplaces



Shading of computer workplaces places high demands on glare protection, but it also must satisfy design and functionality requirements. Plisse blinds are best suited to this end. The blinds offer a wide range of control possibilities, they can be adapted to a variety of window shapes, and they provide long-lasting and high-quality solution of interior sun shading. This will eliminate or minimise annoying sun glare.

Sunlight intensity differs on each cardinal direction. The amount of sunlight can be reduced thanks to interior sun shading. The maximum permissible transmission value according to EU regulations is given as a percentage for each cardinal direction.

In the chapter “Fabric properties”, all fabrics are indicated with a dot according to their suitability for the respective cardinal directions.

## Important notes regarding child safety

### Guidelines for the child-proof installation of units with cords.



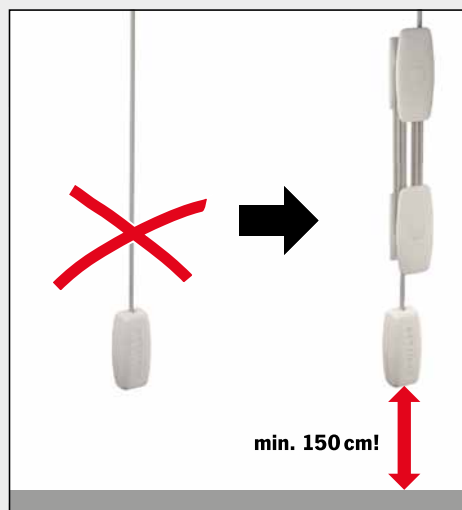
- Small children may, in certain circumstances, get caught in the loops created by cords, chains, and bands that operate the sun shades, which could eventuate in strangling. There is a hazard posed by winding the cords around the neck.
- In order to prevent this, the cords must be kept out of the reach of children.
- Cribs and other interior fittings should not be located near the control cords.
- To not tie the cords together. Make sure the cords do not twist and create a loop.
- To minimise the risk of such accidents, please install and use the supplied safety devices.

Child safety has the highest priority when selecting and installing the sun shading products. The sale and installation should follow several rules to ensure the equipment corresponds to regulations and is safe for children. If you have any questions, please contact the respective specialised company whose experts will clarify possible

risks and ensure professional measuring and fitting. To ensure child-proof installation, the upper rail (cord/chain outlet) must be placed at least 150 cm above the floor. The installation height of our products must be specified in each order, otherwise child safety of our products cannot be ensured. Please keep the safety advice and

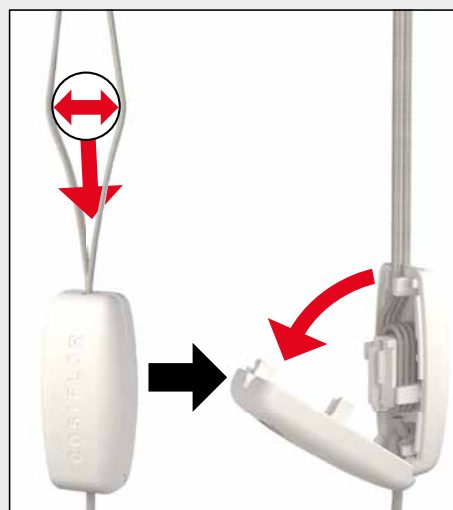
fitting instructions received together with your pleated blind.

### F 1, F 2, F 3, F Slope 1, F Slope 2, F Slope 3, F Slope 4:



**In case of cord-operated blinds, it is absolutely necessary to install the cord winder.**

The winder must be installed so that the lower edge of the cord link is at least 1500 mm above the floor.



**All cord-operated blinds are supplied with a safety cord link which opens when the cord is spread to 60 mm and loaded with the weight under to 6 kg.**

The linking may be made separately. The respective manual is supplied with the product.

## Maintenance of plisse blinds

### Product care instructions



Cleaning of fabrics is easy.

- To this end, rinse the fabric in solution of lukewarm water (max. 30 °C) and a mild detergent. (The tensioning shoes of pre-tensioned blinds must not disengage from the cords!).
- Rinse the fabric thoroughly, push the fabric into stack and carefully squeeze the water until the blind no longer drips.
- Hang the blind up in closed position. Open and close the blind several times during the drying to prevent the pleats sticking together. Do not iron! Make sure to keep the mechanical parts of motorised and crank-operated blinds away from the detergent solution and water.

**ATTENTION:** This excludes all coated black-out fabrics, non-flammable fabrics, and honeycomb fabrics. These can be carefully wiped clean with a wet cloth or brushed. Do not rub! For detailed cleaning specifications, see Chapter 10 on the fabric properties. If necessary, contact your specialised dealer. We advise against chemical or ultrasonic cleaning and do not accept warranty claims in such case

### Product information

#### Controls

To have the blind permanently pleated, you should regularly use your Cosiflor blind and leave it folded for longer periods of time. This maintenance of pleating is especially needed if the blind is exposed to high temperatures (e.g., south-facing windows, roof windows, conservatories, etc.).

#### NOTICE:

In case of loose fibers from the edges of the fabric, carefully trim these fibers. Do not pull the fibers under any circumstances. Any loosening of fibers from the edges of the fabric is not a product defect.

#### Instructions regarding the frame and glass

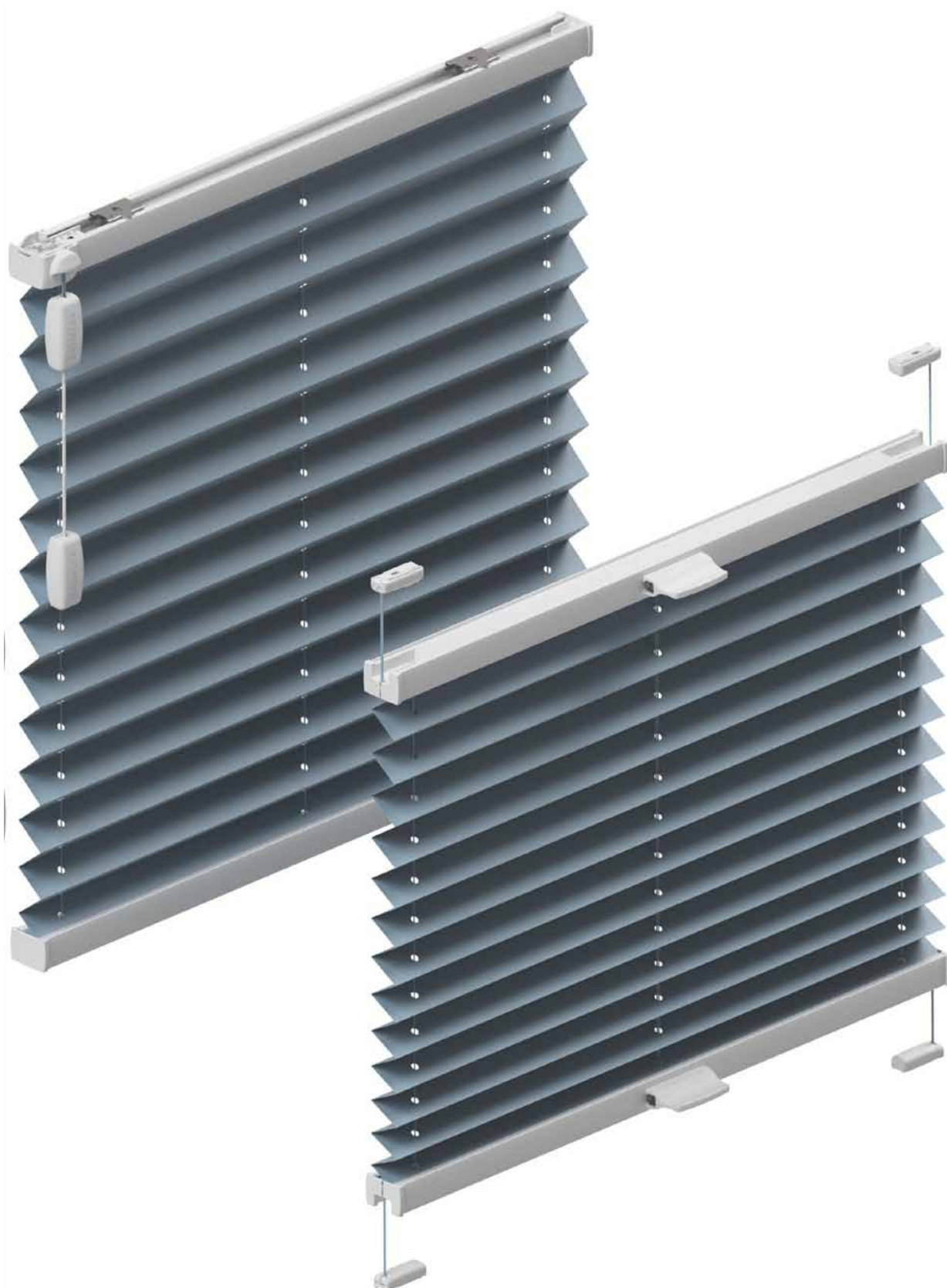
- It is forbidden to use aggressive and/or alkali cleaning agents for window frames and glass, as these are likely to come into direct or indirect contact (e.g., through condensation) with the blind.
- Water condensation can occur in case of insufficient ventilation (observe fitting instructions as regards the fitting distance).
- We do not provide a warranty for the fabric damage by dripping water and insects.

#### Field of application

Cosiflor pleated blinds and honeycomb blinds are **ONLY** suitable for heated living spaces. Cosiflor pleated blinds and honeycomb blinds are **NOT** suitable for exterior use (e.g., in open or partially glazed canopies), for swimming pools and greenhouses, and under double plexiglass boards and plastic glazing. We cannot provide a warranty in such cases!

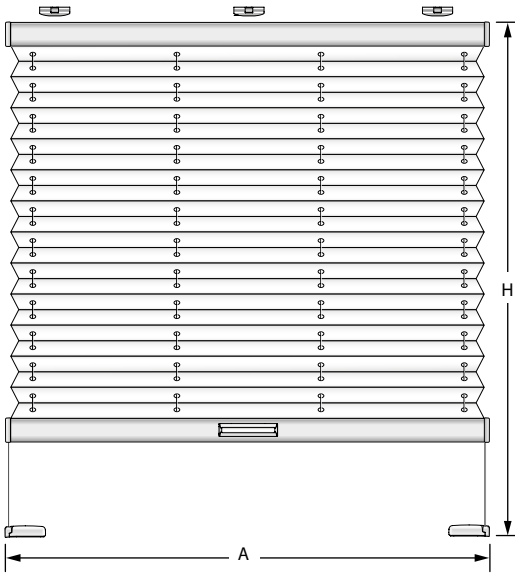
# 1 PLISSE BLINDS WITH LATERAL GUIDES AND FREE-HANGING

for vertical rectangular windows



**ISOTRA** *Quality*

# Plisse blinds with lateral guides VS 1





### Limit dimensions of pleated blinds

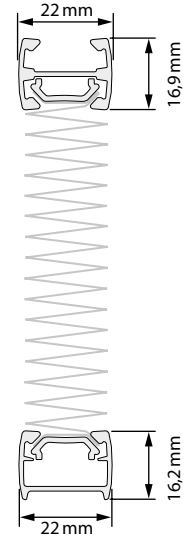
Width (A)	min.	120 mm
	max.	1500 mm
Height (H)	min.	200 mm
	max.	1500 mm
to width 120 cm	max.	2200 mm

### Limit dimensions of honeycomb pleated blinds

Width (A)	min.	120 mm
	max.	1500 mm
Height (H)	min.	200 mm
	max.	1500 mm
to width 120 cm	max.	2200 mm

### Package height

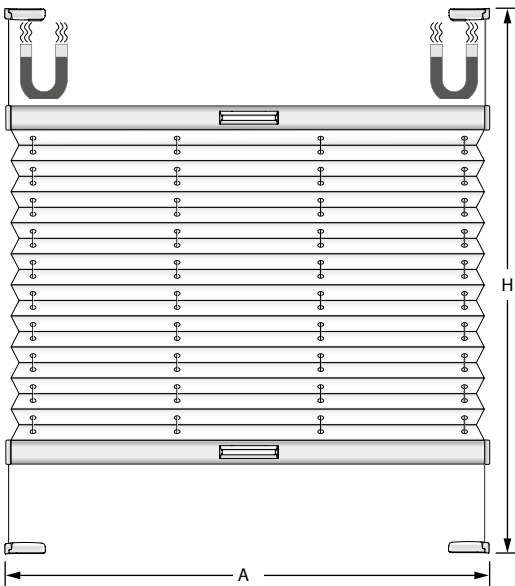
Blind height	Package height
	
500 mm	ca. 50 mm
1000 mm	ca. 60 mm
1500 mm	ca. 70 mm
2000 mm	ca. 80 mm
2200 mm	ca. 90 mm



### Profiles colors

- white matt
- black-brown
- silver
- anthracite matt
- bronze

# VS 2



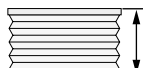

### Limit dimensions of pleated blinds

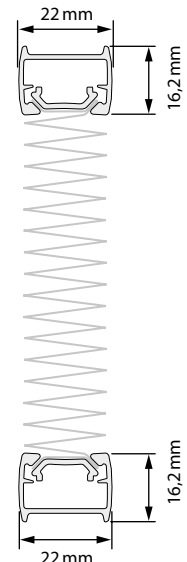
Width (A)	min.	230 mm
	max.	1500 mm
Height (H)	min.	200 mm
	max.	1500 mm
to width 1200 mm	max.	2200 mm

### Limit dimensions of honeycomb pleated blinds

Width (A)	min.	230 mm
	max.	1500 mm
Height (H)	min.	200 mm
	max.	1500 mm
to width 1200 mm	max.	2200 mm

### Package height

Blind height	Package height
	
500 mm	ca. 50 mm
1000 mm	ca. 60 mm
1500 mm	ca. 70 mm
2000 mm	ca. 80 mm
2200 mm	ca. 90 mm



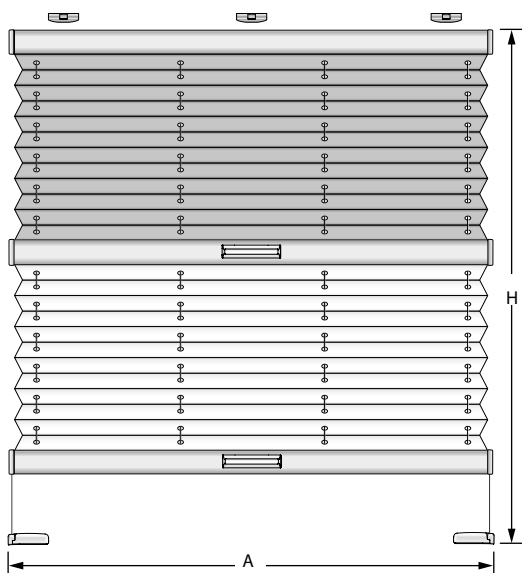
### Note

- Optional magnetic fixation (overhead only)

### Profiles colors

- white matt
- black-brown
- silver
- anthracite matt
- bronze

### VS 3



#### Limit dimensions of pleated blinds

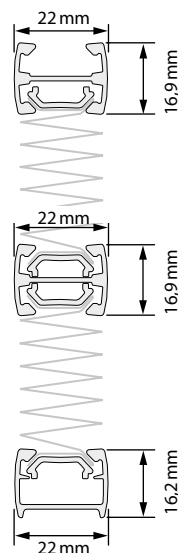
Width (A)	min.	120 mm
	max.	1500 mm
Height (H)	min.	200 mm
	max.	1500 mm
	to width 1200 mm	max.

#### Limit dimensions of honeycomb pleated blinds

Width (A)	min.	120 mm
	max.	1500 mm
Height (H)	min.	200 mm
	max.	1500 mm
	to width 1200 mm	max.

#### Package height

Blind height	Package height
500 mm	ca. 90 mm
1000 mm	ca. 100 mm
1500 mm	ca. 110 mm
2000 mm	ca. 120 mm
2200 mm	ca. 130 mm



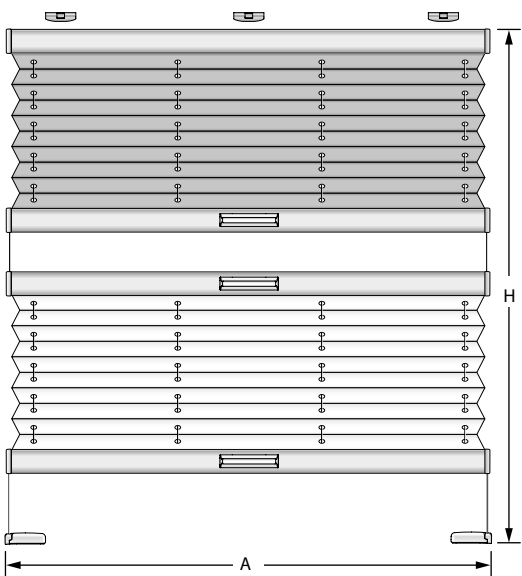
#### Note

- For double-fabric plisse blinds, the sequence of fabrics is as follows: the heavier fabric is always the main fabric located in the upper part of the plisse blind, while the lighter fabric is always the supplementary fabric located in the lower part of the plisse blind.

#### Profiles colors

- white matt       black-brown
- silver               anthracite matt
- bronze

### VS 3 SD



#### Limit dimensions of pleated blinds

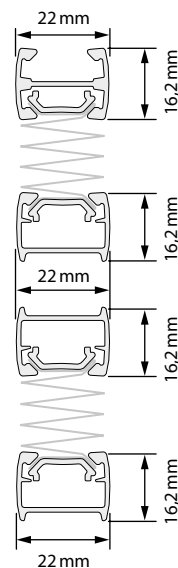
Width (A)	min.	120 mm
	max.	1000 mm
Height (H)	min.	200 mm
	max.	2200 mm

#### Limit dimensions of honeycomb pleated blinds

Width (A)	min.	120 mm
	max.	1000 mm
Height (H)	min.	200 mm
	max.	2200 mm

#### Package height

Blind height	Package height
500 mm	ca. 90 mm
1000 mm	ca. 100 mm
1500 mm	ca. 110 mm
2000 mm	ca. 120 mm
2200 mm	ca. 130 mm



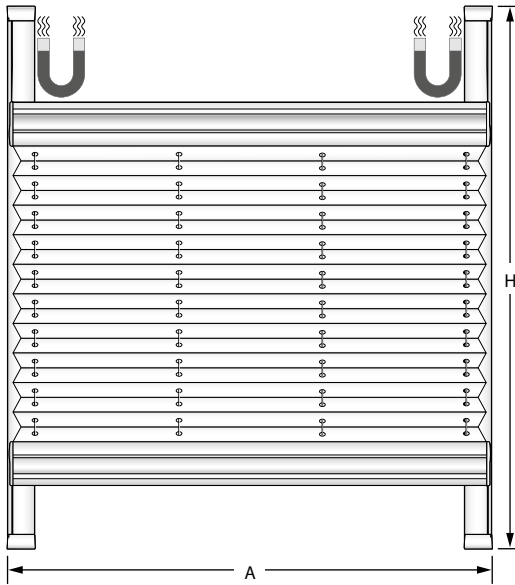
#### Note

- A gap between the control rails is possible.
- For double-fabric plisse blinds, the sequence of fabrics is as follows: the heavier fabric is always the main fabric located in the upper part of the plisse blind, while the lighter fabric is always the supplementary fabric located in the lower part of the plisse blind.

#### Profiles colors

- white matt       black-brown
- silver               anthracite matt
- bronze

## VS2 Slide Comfort



### Limit dimensions of pleated blinds

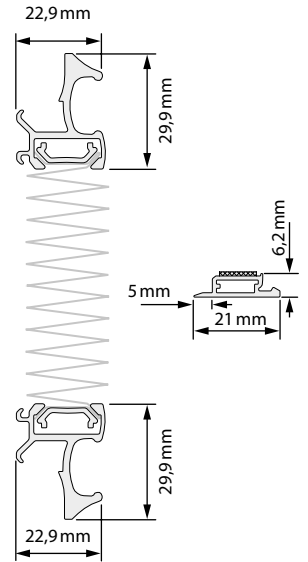
Width (A)	min.	230 mm
	max.	1800 mm
Height (H)	min.	200 mm
	max.	1800 mm
to width 1500 mm		max. 2200 mm

### Limit dimensions of honeycomb pleated blinds

Width (A)	min.	230 mm
	max.	1800 mm
Height (H)	min.	200 mm
	max.	1800 mm
to width 1500 mm		max. 2200 mm

### Package height

Blind height	Package height
500 mm	ca. 75 mm
1000 mm	ca. 85 mm
1500 mm	ca. 95 mm
2000 mm	ca. 105 mm
2200 mm	ca. 115 mm



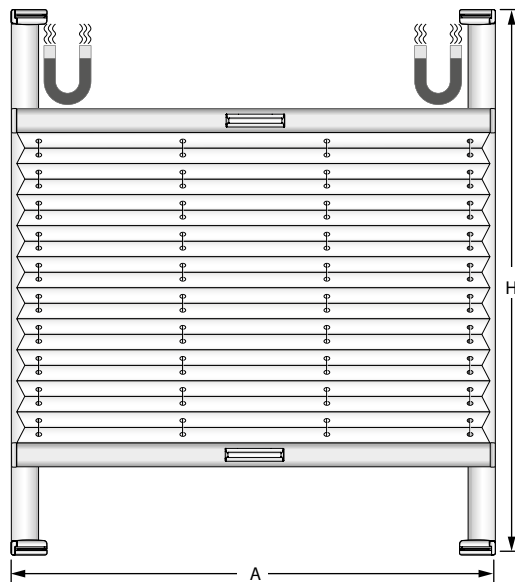
### Note

- Fitting is carried out using an adhesive rail directly to the glass pane.
- No drilling or screwing is necessary.
- Optional magnetic fixation (overhead only)
- Adhesive strips in white, silver and anthracite.

### Profiles colors

- white matt
- grey matt
- anthracite matt

## VS 2 KL no-drill fitting



### Limit dimensions of pleated blinds

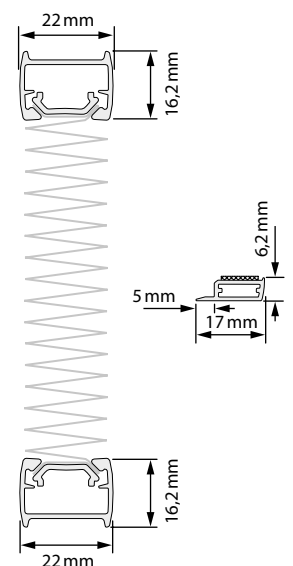
Width (A)	min.	230 mm
	max.	1500 mm
Height (H)	min.	200 mm
	max.	1500 mm
to width 1200 mm		max. 2200 mm

### Limit dimensions of honeycomb pleated blinds

Width (A)	min.	230 mm
	max.	1500 mm
Height (H)	min.	200 mm
	max.	1500 mm
to width 1200 mm		max. 2200 mm

### Package height

Blind height	Package height
500 mm	ca. 50 mm
1000 mm	ca. 60 mm
1500 mm	ca. 70 mm
2000 mm	ca. 80 mm
2200 mm	ca. 90 mm



### Note

- Fitting is carried out using an adhesive rail directly to the glass pane.
- No drilling or screwing is necessary.
- Adhesive strips only in white and silver.
- Optional magnetic fixation (overhead only)

### Profiles colors

- white matt
- silver
- bronze
- black-brown
- anthracite matt

# Free-hanging plisse blinds cord-operated

## F 1



### Limit dimensions of pleated blinds

Width (A)	min.	150 mm
	max. <sup>1</sup>	2300 mm
Height (H)	min.	300 mm
	max.	2600 mm

<sup>1</sup>depends on the fabric width

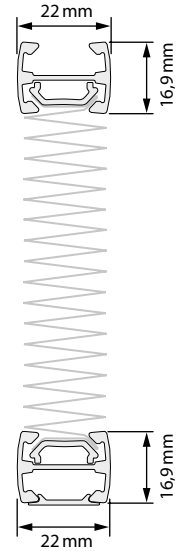
### Limit dimensions of honeycomb pleated blinds

Width (A)	min.	150 mm
	max. <sup>1</sup>	2300 mm
Height (H)	min.	300 mm
	max.	2600 mm

<sup>1</sup>depends on the fabric width

### Package height

Blind height	Package height
500 mm	50 mm
1000 mm	60 mm
1500 mm	70 mm
2000 mm	80 mm
2600 mm	90 mm



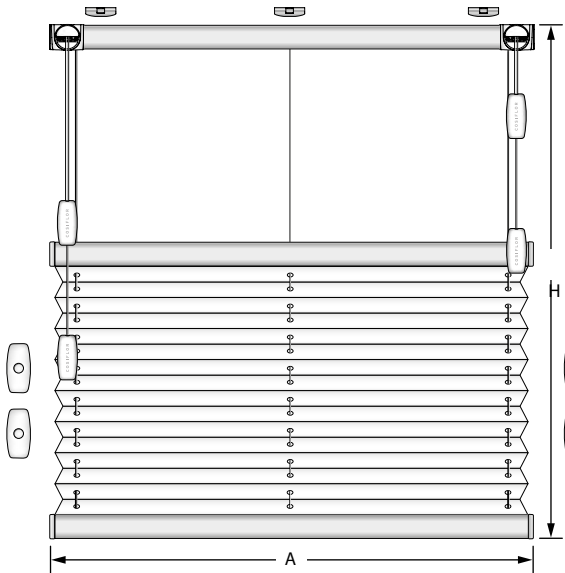
### Note

- Left- or right-side controls (please specify).

### Profiles colors

- white matt
- black-brown
- silver
- anthracite matt
- bronze

## F 2



### Limit dimensions of pleated blinds

Width (A)	min.	150 mm
	max. <sup>1</sup>	2000 mm
Height (H)	min.	300 mm
	max.	2600 mm

<sup>1</sup>depends on the fabric width

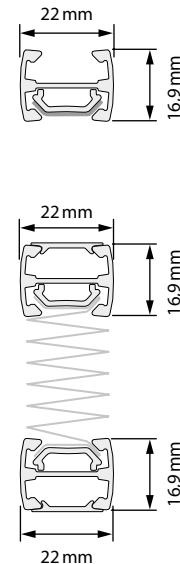
### Limit dimensions of honeycomb pleated blinds

Width (A)	min.	150 mm
	max. <sup>1</sup>	2000 mm
Height (H)	min.	300 mm
	max.	2600 mm

<sup>1</sup>depends on the fabric width

### Package height

Blind height	Package height
500 mm	ca. 60 mm
1000 mm	ca. 70 mm
1500 mm	ca. 80 mm
2000 mm	ca. 90 mm
2600 mm	ca. 100 mm



### Note

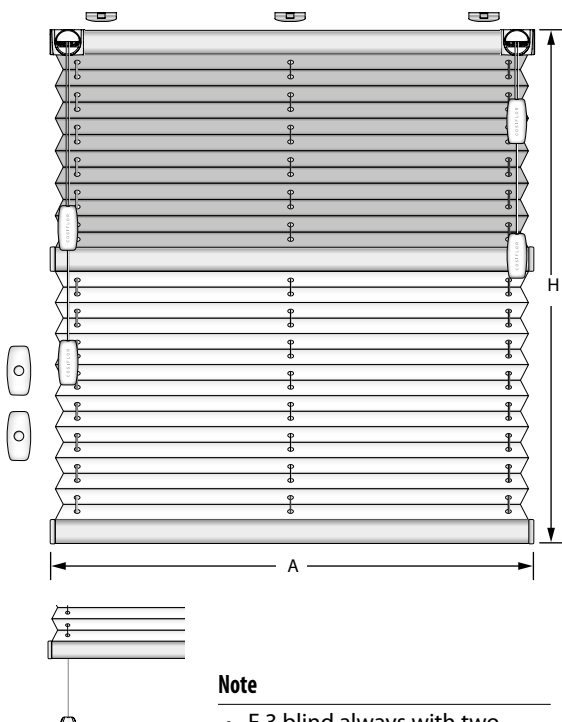
- F 2 blind always with two cord brakes.
- Cords in the visible area.

### Profiles colors

- white matt
- black-brown
- silver
- anthracite matt
- bronze



**F 3**



**Limit dimensions of pleated blinds**

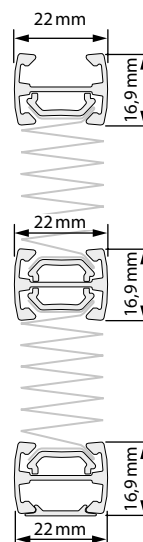
Width (A)	min.	150 mm
	max.	1500 mm
Height (H)	min.	300 mm
	max.	2600 mm

**Limit dimensions of honeycomb pleated blinds**

Width (A)	min.	150 mm
	max.	1500 mm
Height (H)	min.	300 mm
	max.	2600 mm

**Package height**

Blind height	Package height
500 mm	ca. 70 mm
1000 mm	ca. 80 mm
1500 mm	ca. 90 mm
2000 mm	ca. 100 mm
2600 mm	ca. 110 mm



**Note**

- F 3 blind always with two cord brakes.
- For double-fabric plisse blinds, the sequence of fabrics is as follows: the heavier fabric is always the main fabric located in the upper part of the plisse blind, while the lighter fabric is always the supplementary fabric located in the lower part of the plisse blind.

**Profiles colors**

- white matt
- silver
- bronze
- black-brown
- anthracite matt

## 2 PLISSE BLINDS WITH LATERAL GUIDES AND FREE-HANGING

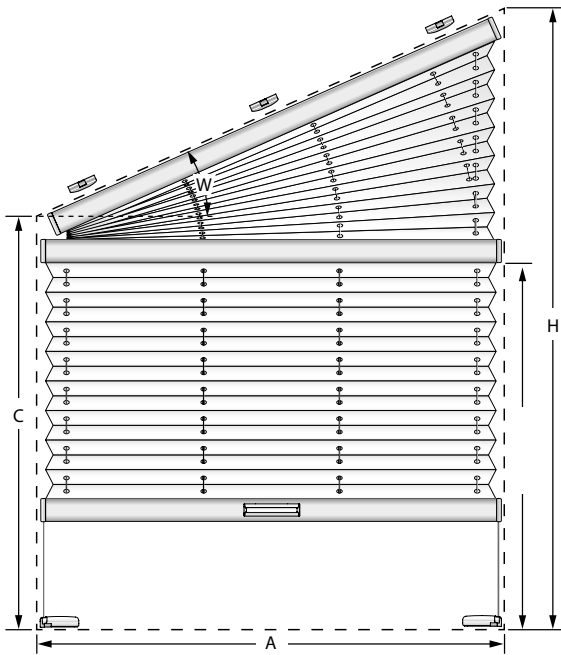
for special shapes of vertical windows



**ISOTRA** *Quality*

# Plisse blinds with lateral guides and free-hanging

## VS 4



**Note**

- Larger height (H) can be either on the left, or on the right.
- \* As the profile is located in the corners, there will be unshaded areas. These areas are not a reason for complaint.

**Limit dimensions of pleated blinds**

Width (A)	min.	300 mm
	max.	1500 mm
Slope width	max. <sup>1</sup>	2300 mm
Height 1 (H)	min.	300 mm
	max.	1500 mm
to width 1200 mm	max.	2200 mm
Height 2 (C)	min.	100 mm
Angle (W)	min.	5°
	max.	60°

<sup>1</sup> depends on the fabric width

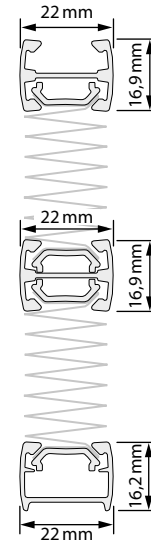
**Limit dimensions of honeycomb pleated blinds**

Width (A)	min.	300 mm
	max.	1500 mm
Slope width	max. <sup>1</sup>	2300 mm
Height 1 (H)	min.	300 mm
	max.	1500 mm
to width 1200 mm	max.	2200 mm
Height 2 (C)	min.	100 mm
Angle (W)	min.	5°
	max.	40°

<sup>1</sup> depends on the fabric width

**Package height**

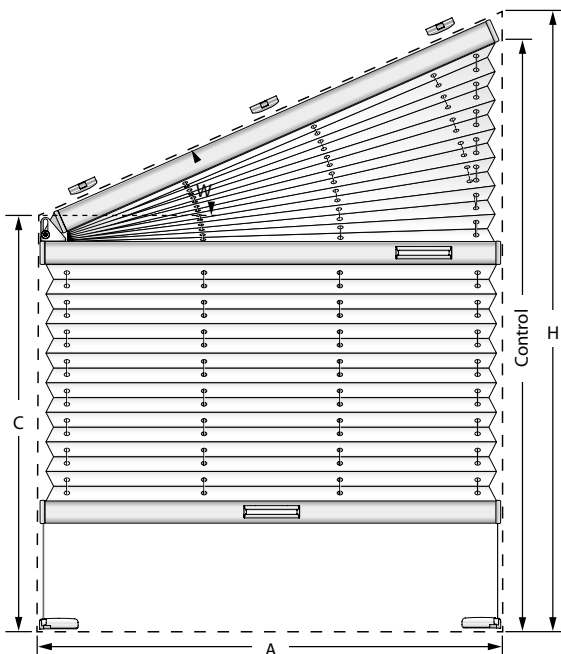
Blind height	Package height
500 mm	ca. 50 mm
1000 mm	ca. 60 mm
1500 mm	ca. 70 mm
2000 mm	ca. 80 mm
2200 mm	ca. 90 mm



**Profiles colors**

- white matt
- silver
- bronze
- black-brown
- anthracite matt

## VS 4 S



**Note**

- Larger height (H) can be either on the left, or on the right.
- Plisse can be slid upward up to the sloped rail.
- The middle rail cannot be operated with a control rod.
- Take into account the compensating wedges of the sloped window bead.

**Limit dimensions of pleated blinds**

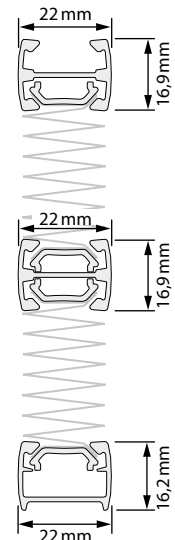
Width (A)	min.	300 mm
	max.	1000 mm
Height 1 (H)	min.	300 mm
	max.	2200 mm
Height 2 (C)	min.	100 mm
Angle (W)	min.	15°
	max.	35°

**Limit dimensions of honeycomb pleated blinds**

Width (A)	min.	300 mm
	max.	1000 mm
Height 1 (H)	min.	300 mm
	max.	2200 mm
Height 2 (C)	min.	100 mm
Angle (W)	min.	15°
	max.	35°

**Package height**

Blind height	Package height
500 mm	ca. 60 mm
1000 mm	ca. 70 mm
1500 mm	ca. 80 mm
2000 mm	ca. 90 mm
2200 mm	ca. 100 mm

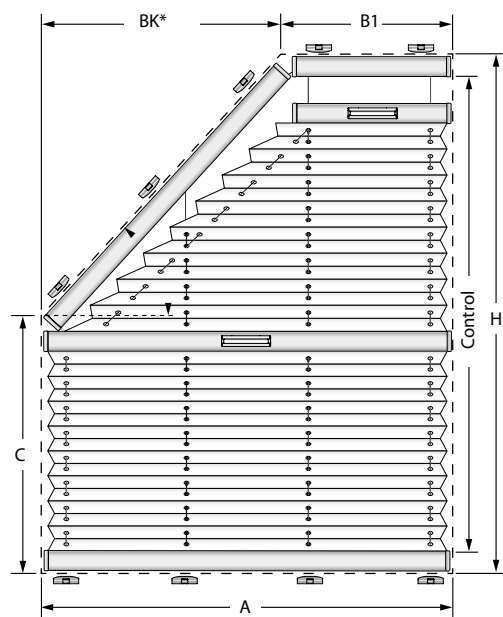


**Profiles colors**

- white matt
- silver
- bronze \*
- black-brown
- anthracite matt \*

## Plisse blinds with lateral guides and free-hanging

### VS 5 pentagon



**Note**

- Larger height (H) can be either on the left, or on the right.
- B 1 + B k always add up to width A.

**Profiles colors**

- white matt
- black-brown
- silver
- anthracite matt
- bronze

**Limit dimensions of pleated blinds**

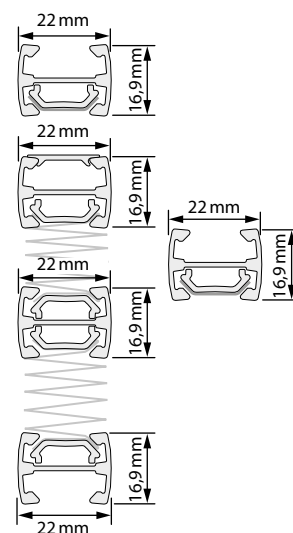
Width (A)	min.	300 mm
	max.	1500 mm
Small width (B 1)	min.	90 mm
	max.	1450 mm
Overhang (BK)	min.	50 mm
	max.	1200 mm
Height 1 (H)	min.	300 mm
	max.	1500 mm
to width 1200 mm	max.	2000 mm
Height 2 (C)	min.	100 mm
Angle (W)	min.	15°
	max.	70°

**Limit dimensions of honeycomb pleated blinds**

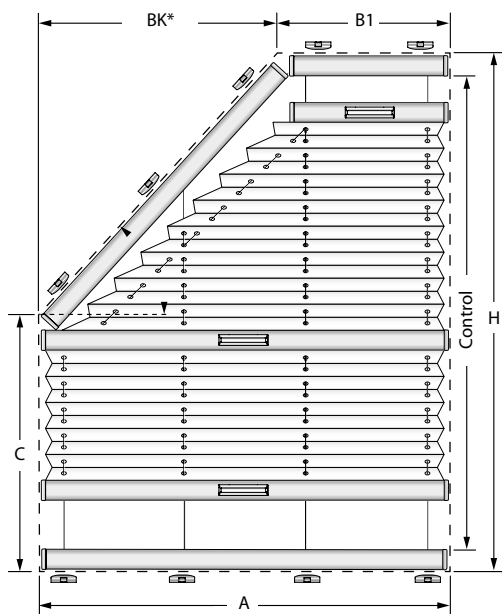
Width (A)	min.	300 mm
	max.	1500 mm
Small width (B 1)	min.	130 mm
	max.	1450 mm
Overhang (BK)	min.	50 mm
	max.	1200 mm
Height 1 (H)	min.	300 mm
	max.	1500 mm
to width 1200 mm	max.	2000 mm
Height 2 (C)	min.	100 mm
Angle (W)	min.	15°
	max.	70°

**Package height**

Blind height	Package height
500 mm	ca. 70 mm
1000 mm	ca. 80 mm
1500 mm	ca. 90 mm
2000 mm	ca. 100 mm



### VS 5 SD Pentagon



**Note**

- Larger height (H) can be either on the left, or on the right.
- B 1 + B k always add up to width A.

**Profiles colors**

- white matt
- black-brown
- silver
- anthracite matt
- bronze

**Limit dimensions of pleated blinds**

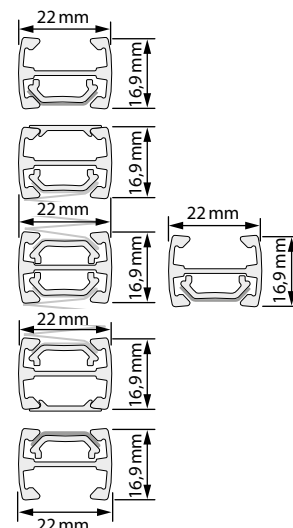
Width (A)	min.	300 mm
	max.	1000 mm
Small width (B 1)	min.	90 mm
	max.	950 mm
Overhang (BK)	min.	50 mm
	max.	910 mm
Height 1 (H)	min.	300 mm
	max.	2000 mm
Height 2 (C)	min.	100 mm
Angle (W)	min.	15°
	max.	70°

**Limit dimensions of honeycomb pleated blinds**

Width (A)	min.	300 mm
	max.	1000 mm
Small width (B 1)	min.	130 mm
	max.	950 mm
Overhang (BK)	min.	50 mm
	max.	870 mm
Height 1 (H)	min.	300 mm
	max.	2000 mm
Height 2 (C)	min.	100 mm
Angle (W)	min.	15°
	max.	70°

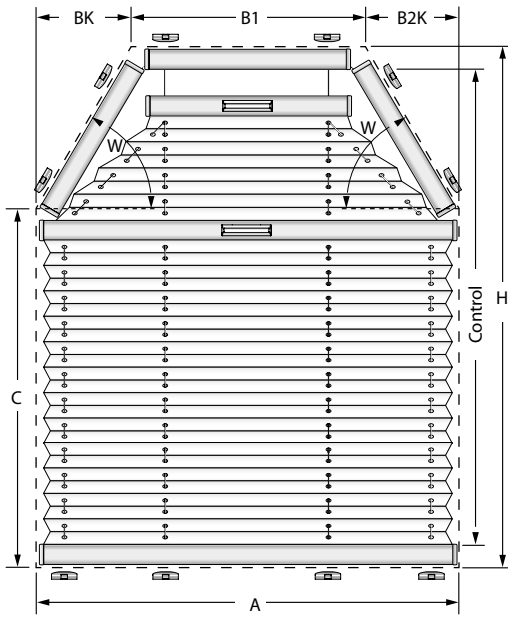
**Package height**

Blind height	Package height
500 mm	ca. 90 mm
1000 mm	ca. 100 mm
1500 mm	ca. 110 mm
2000 mm	ca. 120 mm



## Plisse blinds with lateral guides and free-hanging

### VS 6 Hexagon



**Note**

- B 1 + B k + B 2 k always add up to width A.
- Asymmetrical version is also possible.

**Profiles colors**

- white matt
- black-brown
- silver
- anthracite matt
- bronze

**Limit dimensions of pleated blinds**

Width (A)	min.	300 mm
	max.	1500 mm
Small width (B 1)	min.	100 mm
	max.	1400 mm
Overhang (BK/B2K)	min.	50 mm
	max.	1200 mm
Height 1 (H) to width 1200 mm	min.	300 mm
	max.	1500 mm
Height 2 (C)	min.	100 mm
	max.	2000 mm
Angle (W)	min.	15°
	max.	70°

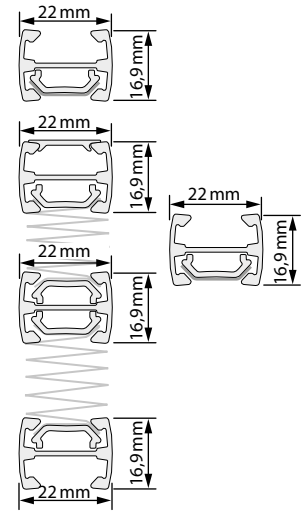
**Limit dimensions of honeycomb pleated blinds**

Width (A)	min.	300 mm
	max.	1500 mm
Small width (B 1)	min.	150 mm
	max.	1400 mm
Overhang (BK/B2K)	min.	50 mm
	max.	1200 mm
Height 1 (H) to width 1200 mm	min.	300 mm
	max.	1500 mm
Height 2 (C)	min.	100 mm
	max.	2000 mm
Angle (W)	min.	15°
	max.	70°

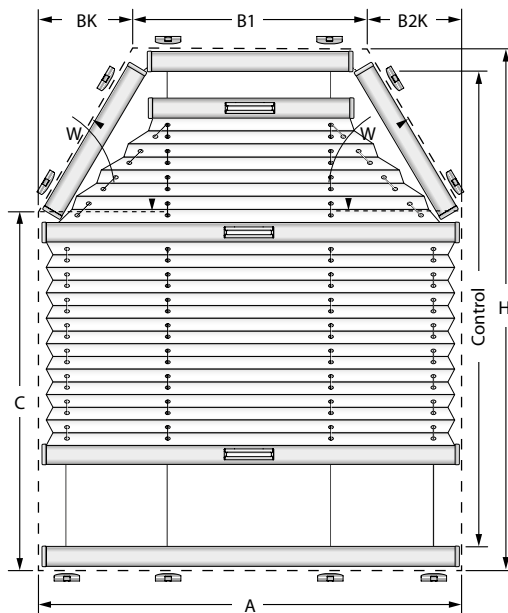
Note: Maximum difference between angles (W) left/right 25°.

**Package height**

Blind height	Package height
500 mm	ca. 70 mm
1000 mm	ca. 80 mm
1500 mm	ca. 90 mm
2000 mm	ca. 100 mm



### VS 6 SD Hexagon



**Note**

- B 1 + B k + B 2k always add up to width A.
- Asymmetrical version is also possible.

**Profiles colors**

- white matt
- black-brown
- silver
- anthracite matt
- bronze

**Limit dimensions of pleated blinds**

Width (A)	min.	300 mm
	max.	1000 mm
Small width (B 1)	min.	100 mm
	max.	900 mm
Overhang (BK/B2K)	min.	50 mm
	max.	800 mm
Height 1 (H) to width 1200 mm	min.	300 mm
	max.	2000 mm
Height 2 (C)	min.	100 mm
	max.	2000 mm
Angle (W)	min.	15°
	max.	70°

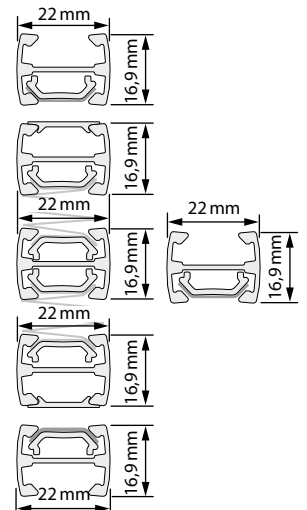
**Limit dimensions of honeycomb pleated blinds**

Width (A)	min.	300 mm
	max.	1000 mm
Small width (B 1)	min.	150 mm
	max.	900 mm
Overhang (BK/B2K)	min.	50 mm
	max.	850 mm
Height 1 (H) to width 1200 mm	min.	300 mm
	max.	2000 mm
Height 2 (C)	min.	100 mm
	max.	2000 mm
Angle (W)	min.	15°
	max.	70°

Note: Maximum difference between angles (W) left/right 25°.

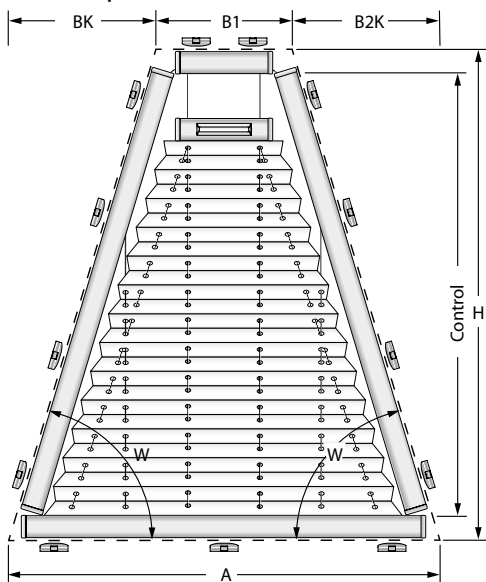
**Package height**

Blind height	Package height
500 mm	ca. 90 mm
1000 mm	ca. 100 mm
1500 mm	ca. 110 mm
2000 mm	ca. 120 mm



## Plisse blinds with lateral guides and free-hanging

### VS 7 Trapezoid



**Note**

- Asymmetrical version is also possible.
- B 1 + B k+ B 2k always add up to width A.

**Profiles colors**

- white matt
- silver
- bronze
- black-brown
- anthracite matt

**Limit dimensions of pleated blinds**

Width (A)	min.	300 mm
	max.	1500 mm
Small width (B 1)	min.	100 mm
	max.	1400 mm
Overhang (BK/B2K)	min.	50 mm
	max.	1200 mm
Height (H)	min.	300 mm
	max.	1500 mm
to width 1200 mm	max.	2000 mm
Angle (W)	min.	15°
	max.	70°

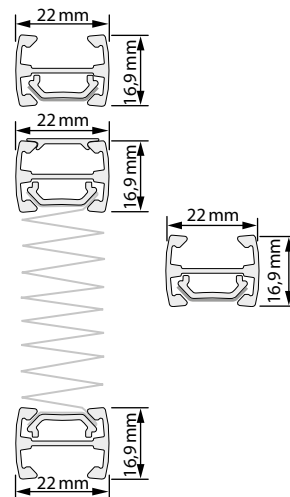
**Limit dimensions of honeycomb pleated blinds**

Width (A)	min.	300 mm
	max.	1500 mm
Small width (B 1)	min.	150 mm
	max.	1400 mm
Overhang (BK/B2K)	min.	50 mm
	max.	1200 mm
Height (H)	min.	300 mm
	max.	1500 mm
to width 1200 mm	max.	2000 mm
Angle (W)	min.	15°
	max.	70°

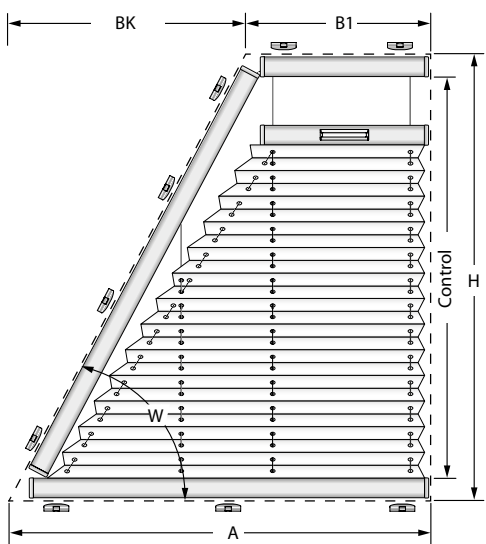
Note: Maximum difference between angles (W) left/right 25°.

**Package height**

Blind height	Package height
500 mm	ca. 70 mm
1000 mm	ca. 80 mm
1500 mm	ca. 90 mm
2000 mm	ca. 100 mm



### VS 8 Trapezoid



**Note**

- Larger height (H) can be either on the left, or on the right.
- B 1 + B k always add up to width A.

**Profiles colors**

- white matt
- silver
- bronze
- black-brown
- anthracite matt

**Limit dimensions of pleated blinds**

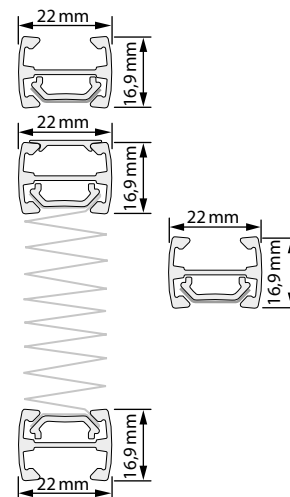
Width (A)	min.	300 mm
	max.	1500 mm
Small width (B 1)	min.	90 mm
	max.	1450 mm
Overhang (BK/B2K)	min.	50 mm
	max.	1200 mm
Height (H)	min.	300 mm
	max.	1500 mm
to width 1200 mm	max.	2000 mm
Angle (W)	min.	15°
	max.	70°

**Limit dimensions of honeycomb pleated blinds**

Width (A)	min.	300 mm
	max.	1500 mm
Small width (B 1)	min.	130 mm
	max.	1450 mm
Overhang (BK/B2K)	min.	50 mm
	max.	1200 mm
Height (H)	min.	300 mm
	max.	1500 mm
to width 1200 mm	max.	2000 mm
Angle (W)	min.	15°
	max.	70°

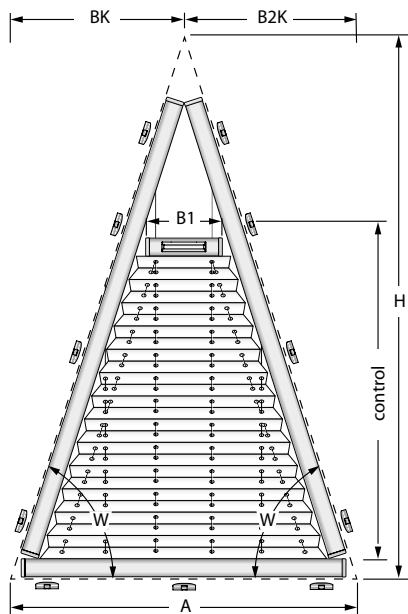
**Package height**

Blind height	Package height
500 mm	ca. 70 mm
1000 mm	ca. 80 mm
1500 mm	ca. 90 mm
2000 mm	ca. 100 mm



## Plisse blinds with lateral guides

### VS 9 Triangle



**Note**

- Asymmetrical version is also possible.
- $B k + B 2 k$  always add up to width A.
- \* As the profile is located in the corners, there will be unshaded areas. These areas are not a reason for complaint.

**Profiles colors**

- white matt
- silver
- bronze
- black-brown
- anthracite matt

**Limit dimensions of pleated blinds**

Width (A)	min.	300 mm
	max.	1200 mm
Rail width (B1)	max.	90 mm
Overhang (BK/B2K)	min.	100 mm
	max.	1200 mm
Height (H) to width 1200 mm	min.	300 mm
	max.	2000 mm
Angle (W)	min.	15°
	max.	70°

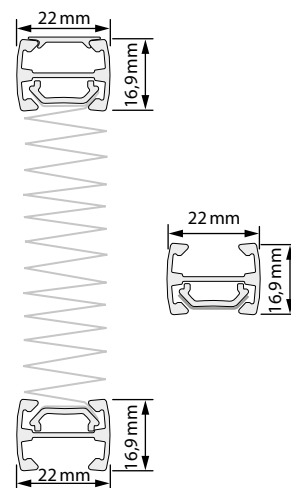
**Limit dimensions of honeycomb pleated blinds**

Width (A)	min.	300 mm
	max.	1500 mm
Rail width (B1)	max.	100 mm
Overhang (BK/B2K)	min.	100 mm
	max.	1200 mm
Height (H) to width 1200 mm	min.	300 mm
	max.	2000 mm
Angle (W)	min.	15°
	max.	70°

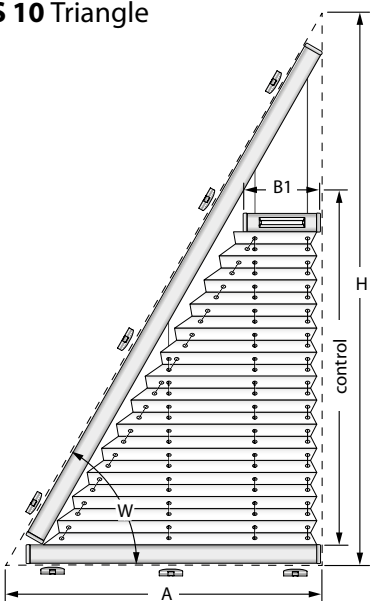
Note: Maximum difference between angles (W) left/right 25°.

**Package height**

Blind height	Package height
500 mm	ca. 60 mm
1000 mm	ca. 70 mm
1500 mm	ca. 80 mm
2000 mm	ca. 90 mm



### VS 10 Triangle



**Note**

- Larger height (H) can be either on the left, or on the right.
- \* As the profile is located in the corners, there will be unshaded areas. These areas are not a reason for complaint.

**Limit dimensions of pleated blinds**

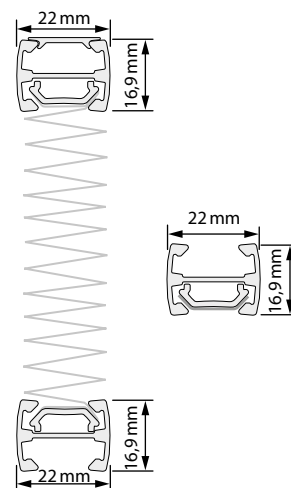
Width (A)	min.	300 mm
	max.	1200 mm
Rail width (B1)	max.	80 mm
Height (H) to width 1200 mm	min.	300 mm
	max.	2000 mm
Angle (W)	min.	15°
	max.	70°

**Limit dimensions of honeycomb pleated blinds**

Width (A)	min.	300 mm
	max.	1200 mm
Rail width (B1)	max.	100 mm
Height (H) to width 1200 mm	min.	300 mm
	max.	2000 mm
Angle (W)	min.	15°
	max.	70°

**Package height**

Blind height	Package height
500 mm	ca. 60 mm
1000 mm	ca. 70 mm
1500 mm	ca. 80 mm
2000 mm	ca. 90 mm

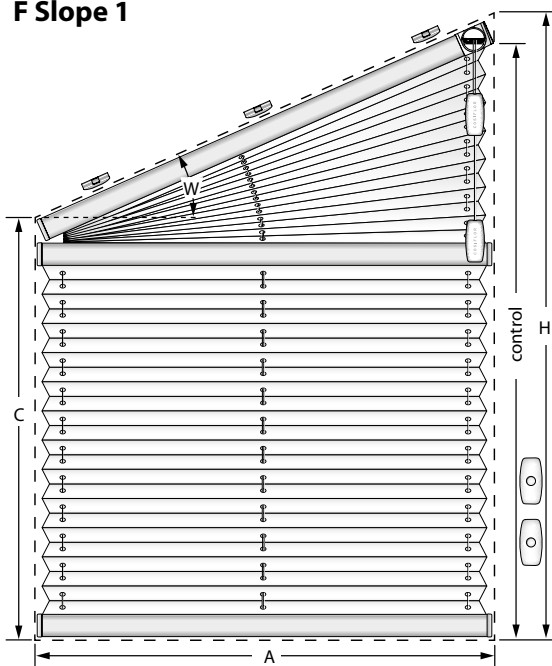


**Profiles colors**

- white matt
- silver
- bronze
- black-brown
- anthracite matt

## Free-hanging blinds for special shapes

### F Slope 1



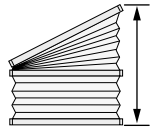
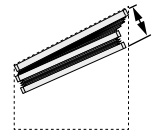
**Note**

- Larger height (H) can be either on the left, or on the right.
- No anti-sway protection is possible.
- Plisse can be slid upward up to the sloped rail.
- Controls can only be placed on the longer side
- \* As the profile is located in the corners, there will be unshaded areas. These areas are not a reason for complaint.

**Limit dimensions of pleated blinds**

Width (A)	min.	300 mm
	max.	800 mm
Slope width	max.	1000 mm
Height 1 (H)	min.	300 mm
	max.	2600 mm
Height 2 (C)	min.	100 mm
Angle (W)	min.	5°
	max.	35°

**Package height**

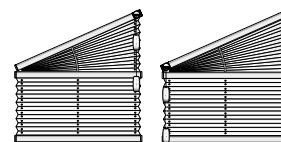
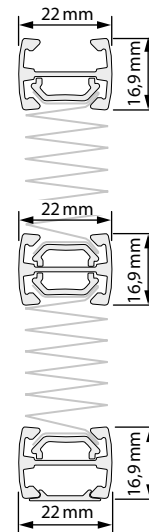
Blind height	Package height
	
500 mm	ca. 60 mm
1000 mm	ca. 70 mm
1500 mm	ca. 80 mm
2000 mm	ca. 90 mm
2600 mm	ca. 100 mm

**Profiles colors**

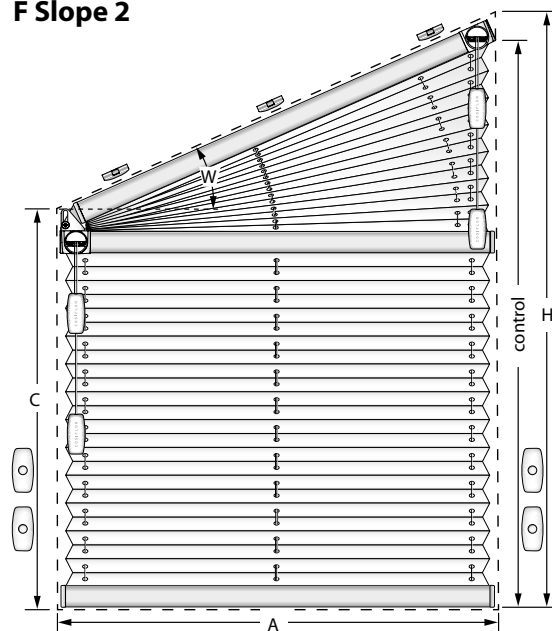
- white matt
- silver
- bronze
- black-brown
- anthracite matt

**Limit dimensions of honeycomb pleated blinds**

- Cannot be supplied with honeycomb pleated blinds.



### F Slope 2



**Note**

- Larger height (H) can be either on the left, or on the right.
- No anti-sway protection is possible.
- Plisse can be slid upward up to the sloped rail.
- Take into account the compensating wedges of the sloped bead.
- Controls on the shorter side for the lower blind, and on the longer side for the upper blind.

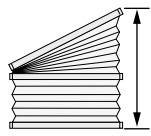
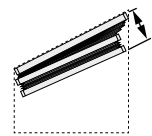
\* If the profile colours are bronze or anthracite black, the oblique hinge can only be in white, silver or brown-black colour.

**Limit dimensions of pleated blinds**

Width (A)	min.	300 mm
	To angle 15° max.	2200 mm
	To angle 30° max.	1900 mm
	To angle 45° max.	1600 mm
	To angle 50° max.	1450 mm
Slope width	max. <sup>1</sup>	2300 mm
Height 1 (H)	min.	300 mm
	max.	2600 mm
Height 2 (C)	min.	100 mm
Angle (W)	min.	5°
	max.	50°

<sup>1</sup> depends on the fabric width

**Package height**

Blind height	Package height
	
500 mm	ca. 60 mm
1000 mm	ca. 70 mm
1500 mm	ca. 80 mm
2000 mm	ca. 90 mm
2600 mm	ca. 100 mm

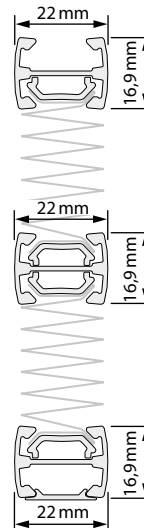
**Profiles colors**

- white matt
- silver
- bronze\*
- black-brown
- anthracite matt\*

**Limit dimensions of honeycomb pleated blinds**

Width (A)	min.	300 mm
	To angle 15° max.	2200 mm
	To angle 30° max.	1900 mm
	To angle 40° max.	1700 mm
Slope width	max. <sup>1</sup>	2200 mm
Height 1 (H)	min.	300 mm
	max.	2600 mm
Height 2 (C)	min.	100 mm
Angle (W)	min.	5°
	max.	40°

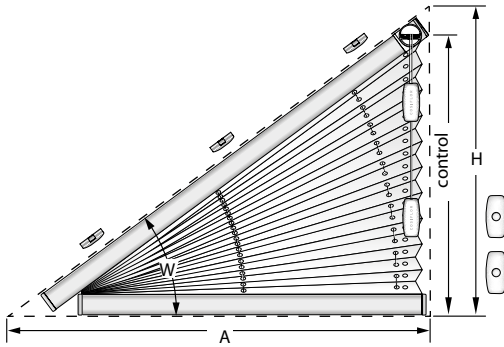
<sup>1</sup> depends on the fabric width





# Free-hanging blinds for special shapes

## F Slope 3



### Limit dimensions of pleated blinds

Width (A)	min.	300 mm
	max. <sup>1</sup>	2200 mm
Slope width	max.	2300 mm
Height 1 (H)	min.	300 mm
	max.	1600 mm
Angle (W)	min.	5°
	max.	50°

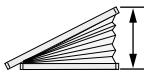
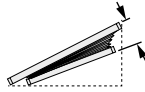
<sup>1</sup> depends on the fabric width

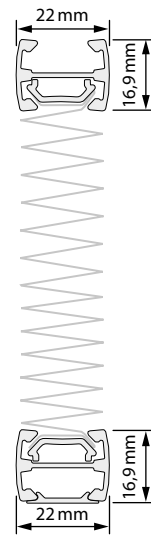
### Limit dimensions of honeycomb pleated blinds

Width (A)	min.	300 mm
	max. <sup>1</sup>	2200 mm
Slope width	max.	2300 mm
Height 1 (H)	min.	300 mm
	max.	1600 mm
Angle (W)	min.	5°
	max.	40°

<sup>1</sup> depends on the fabric width

### Package height

Blind height	Package height
	
500 mm	ca. 70 mm
1000 mm	ca. 80 mm
1500 mm	ca. 90 mm



### Note

- Larger height (H) can be either on the left, or on the right.
- Plisse can be slid upward up to the sloped rail.
- Controls can only be placed on the longer side
- \* As the profile is located in the corners, there will be unshaded areas. These areas are not a reason for complaint.

### Profiles colors

- white matt       black-brown
- silver             anthracite matt
- bronze

# 3 PLISSE BLINDS FOR ROOF WINDOWS

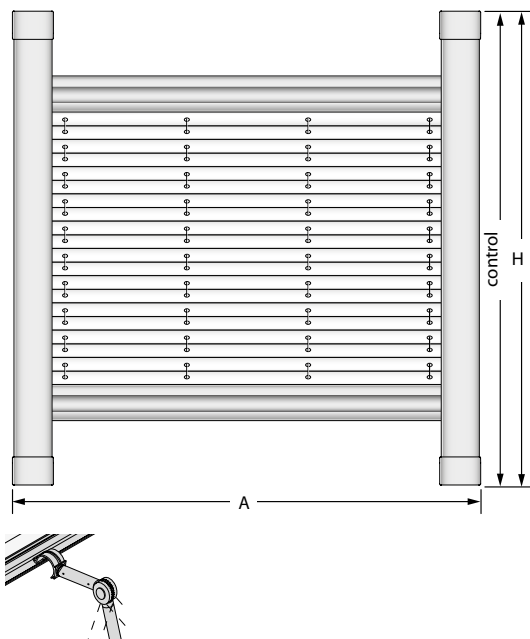
with DFC lateral guide rails



**ISOTRA** *Quality*

## Plisse blinds for roof windows

### DF Comfort with side guide rails



#### Limit dimensions of pleated blinds

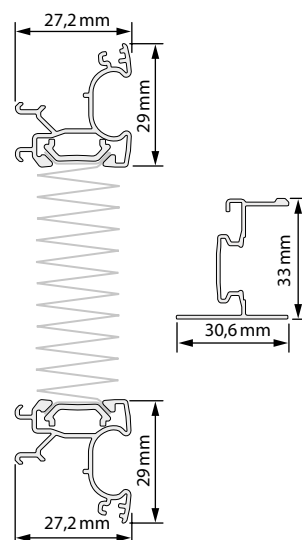
Width (A)	min.	250 mm
	max.	1500 mm
Height (H)	min.	400 mm
	max.	1500 mm
	to width 1200 mm	max.

#### Limit dimensions of honeycomb pleated blinds

Width (A)	min.	250 mm
	max.	1500 mm
Height (H)	min.	400 mm
	max.	1500 mm
	to width 1200 mm	max.

#### Package height

Blind height	Package height
500 mm	ca. 60 mm
1000 mm	ca. 70 mm
1500 mm	ca. 80 mm



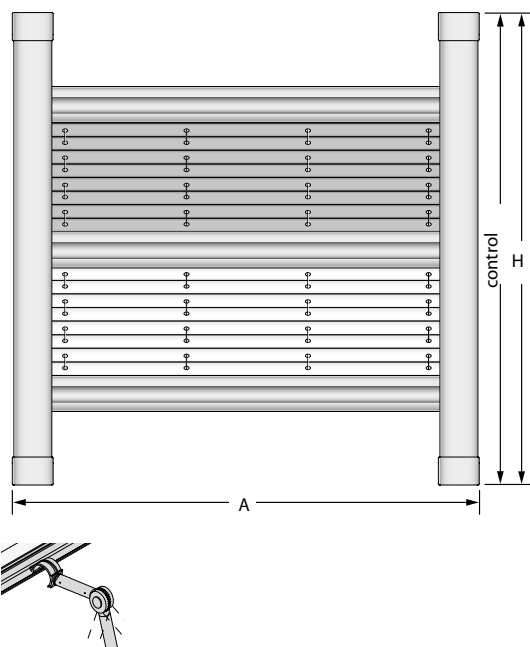
#### Note

- Also with a control rod (surcharge).
- Can be used for roof windows with sloped or straight beads.
- **Can only be fitted in the window bead**
- Not suitable for Roto Exit roof windows with handle.

#### Profiles colors

- white matt
- grey matt

### DF Comfort 30 with side guide rails



#### Limit dimensions of pleated blinds

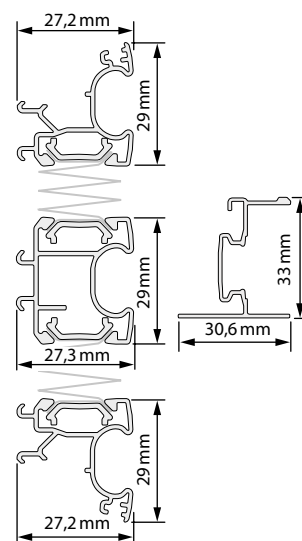
Width (A)	min.	250 mm
	max.	1500 mm
Height (H)	min.	400 mm
	max.	1500 mm
	to width 1200 mm	max.

#### Limit dimensions of honeycomb pleated blinds

Width (A)	min.	250 mm
	max.	1500 mm
Height (H)	min.	400 mm
	max.	1500 mm
	to width 1200 mm	max.

#### Package height

Blind height	Package height
500 mm	ca. 100 mm
1000 mm	ca. 120 mm
1500 mm	ca. 140 mm



#### Note

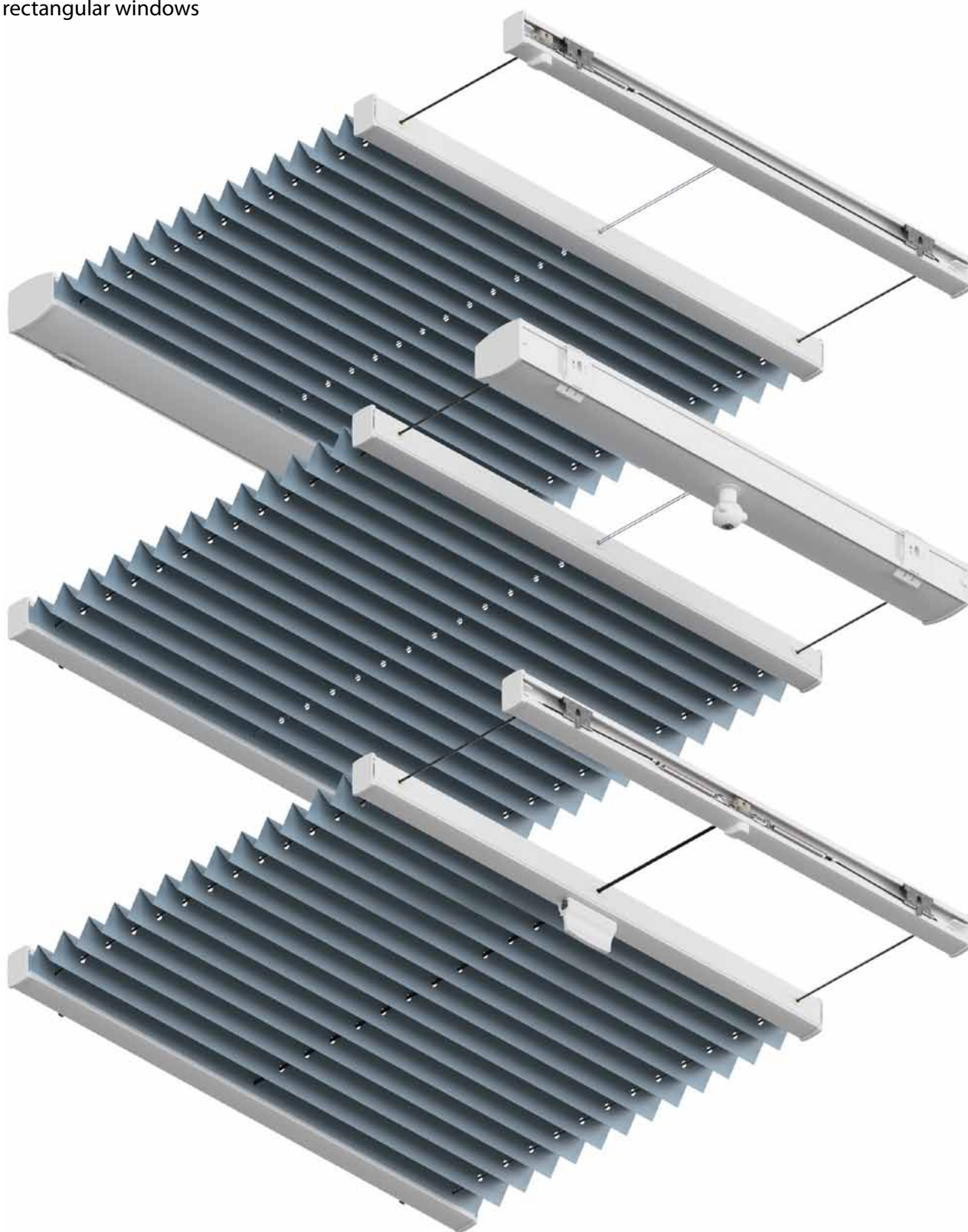
- Also with a control rod (surcharge).
- Can be used for roof windows with sloped or straight beads.
- Can only be fitted in the window bead
- For double-fabric plisse blinds, the sequence of fabrics is as follows: the heavier fabric is always the main fabric located in the upper part of the plisse blind, while the lighter fabric is always the supplementary fabric located in the lower part of the plisse blind.
- **Fitting is only possible to glazing beading.**
- Not suitable for Roto Exit roof windows with handle.

#### Profiles colors

- white matt
- grey matt

# 4 CEILING-MOUNTED PLISSE BLINDS

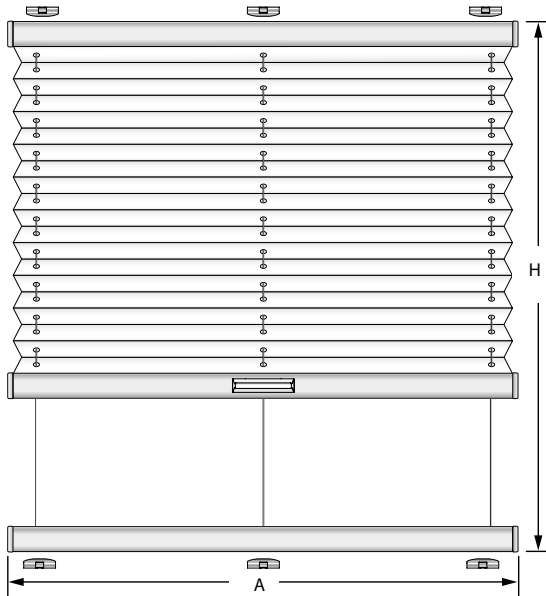
for rectangular windows



**ISOTRA** *Quality*

# Ceiling-mounted plisse blinds for rectangular windows

## PL 11 with control rod




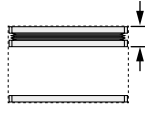
### Limit dimensions of pleated blinds

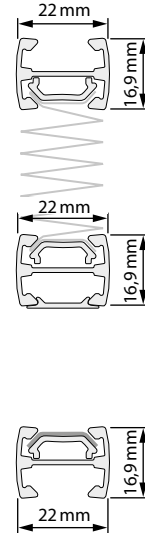
Width (A)	min.	200 mm
	max.	1500 mm
Height (H)	min.	300 mm
	max.	4000 mm

### Limit dimensions of honeycomb pleated blinds

Width (A)	min.	200 mm
	max.	1500 mm
Height (H)	min.	300 mm
	max.	4000 mm

### Package height

Blind height	Package height
	
500 mm	ca. 60 mm
1000 mm	ca. 70 mm
1500 mm	ca. 80 mm
2000 mm	ca. 90 mm
2500 mm	ca. 100 mm
3000 mm	ca. 110 mm
3500 mm	ca. 120 mm
4000 mm	ca. 130 mm



### Note

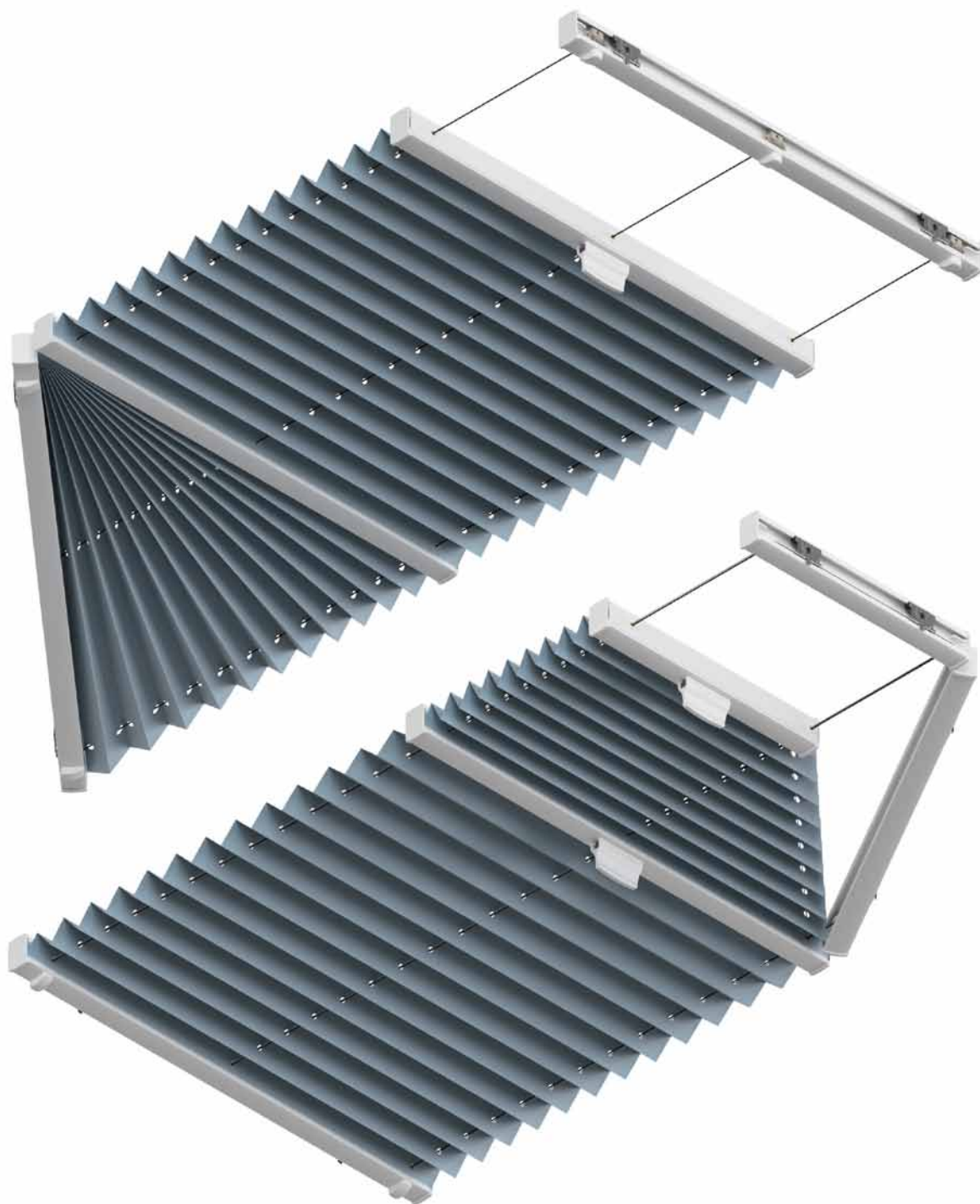
- Optionally with a control rod (surcharge).
- Angled or horizontal fitting is possible.
- Fixed tension wires, UV-resistant, made of steel wire with black sheathing  
Max. distance 250 mm.

### Profiles colors

- white matt
- silver
- bronze
- black-brown
- anthracite matt

# 5 CEILING-MOUNTED PLISSE BLINDS

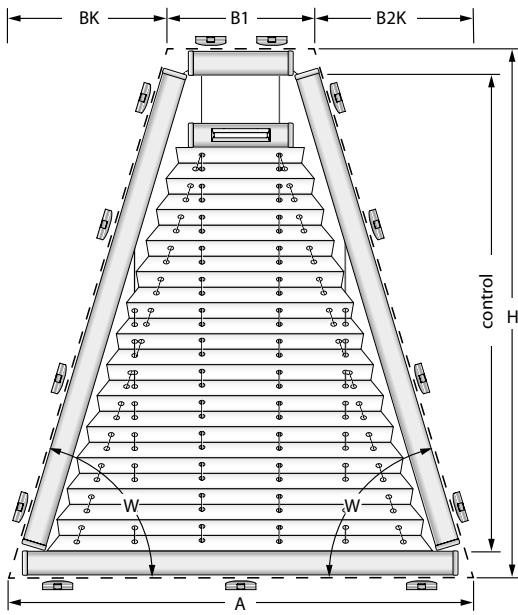
for special shapes of windows



**ISOTRA** *Quality*

# Ceiling-mounted plisse blinds for special shapes of windows

## PL 30 Trapezoid



**Note**

- B 1 + B k + B 2 k always add up to width A.
- Fixed tension wires, UV-resistant, made of steel wire with black sheathing  
Max. distance 25 cm.
- Optionally with a control rod (surcharge).
- Angled or horizontal fitting is possible.
- Asymmetrical version is also possible.

**Limit dimensions of pleated blinds**

Width (A)	min.	300 mm
	max.	1500 mm
Small width (B 1)	min.	100 mm
	max.	1400 mm
Overhang (BK / B2K)	min.	50 mm
	max.	1200 mm
Height 1 (H)	min.	300 mm
	max.	2000 mm
Angle (W)	min.	15°
	max.	70°

**Limit dimensions of honeycomb pleated blinds**

Width (A)	min.	300 mm
	max.	1500 mm
Small width (B 1)	min.	150 mm
	max.	1400 mm
Overhang (BK / B2K)	min.	50 mm
	max.	1000 mm
Height 1 (H)	min.	300 mm
	max.	2000 mm
Angle (W)	min.	15°
	max.	70°

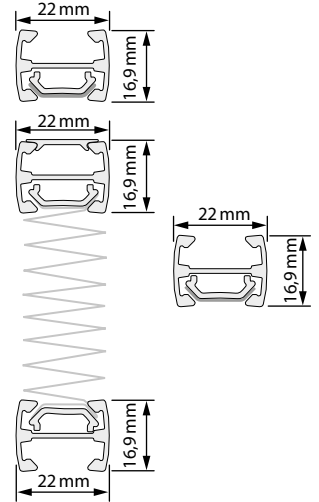
Note: Maximum difference between angles (W) left/right 25°.

**Package height**

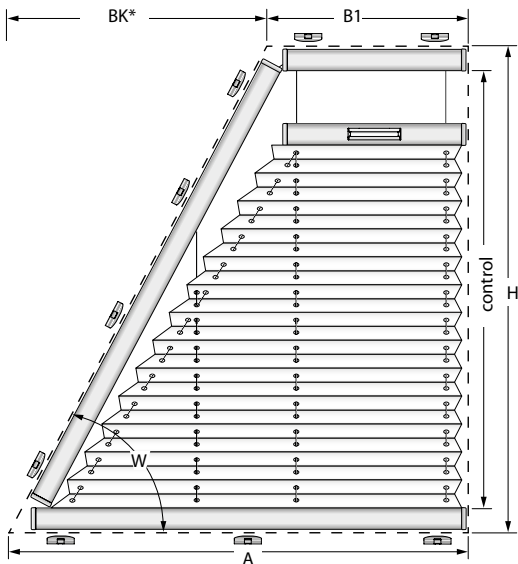
Blind height	Package height
500 mm	ca. 60 mm
1000 mm	ca. 70 mm
1500 mm	ca. 80 mm
2000 mm	ca. 90 mm

**Profiles colors**

- white matt
- silver
- bronze
- black-brown
- anthracite matt



## PL 31 Trapezoid



**Note**

- \* Larger height (H) can be either on the left, or on the right.
- B 1 + B k always add up to width A.
- Fixed tension wires, UV-resistant, made of steel wire with black sheathing  
Max. distance 25 cm.
- Optionally with a control rod (surcharge).
- Angled or horizontal fitting is possible.

**Limit dimensions of pleated blinds**

Width (A)	min.	300 mm
	max.	1500 mm
Small width (B 1)	min.	90 mm
	max.	1450 mm
Overhang (BK / B2K)	min.	50 mm
	max.	1200 mm
Height 1 (H)	min.	300 mm
	max.	2000 mm
Angle (W)	min.	15°
	max.	70°

**Limit dimensions of honeycomb pleated blinds**

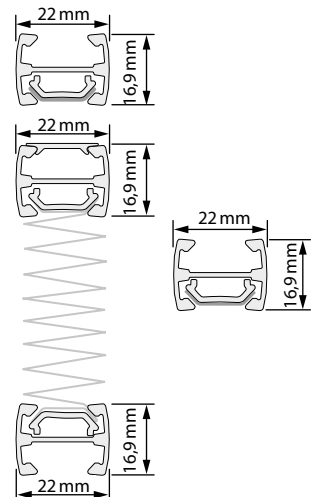
Width (A)	min.	300 mm
	max.	1500 mm
Small width (B 1)	min.	130 mm
	max.	1450 mm
Overhang (BK / B2K)	min.	50 mm
	max.	1000 mm
Height 1 (H)	min.	300 mm
	max.	2000 mm
Angle (W)	min.	15°
	max.	70°

**Package height**

Blind height	Package height
500 mm	ca. 60 mm
1000 mm	ca. 70 mm
1500 mm	ca. 80 mm
2000 mm	ca. 90 mm

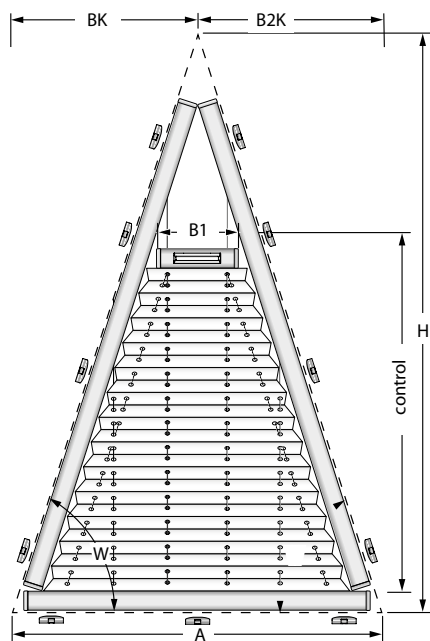
**Profiles colors**

- white matt
- silver
- bronze
- black-brown
- anthracite matt



## Ceiling-mounted plisse blinds for special shapes of windows

### PL 32 Triangle



**Note**

- B k + B 2 k always add up to width A.
- Fixed tension wires, UV-resistant, made of steel wire with black sheathing  
Max. distance 25 cm.
- Optionally with a control rod (surcharge).
- Angled or horizontal fitting is possible.
- Asymmetrical version is also possible.
- \* As the profile is located in the corners, there will be unshaded areas. These areas are not a reason for complaint.

**Limit dimensions of pleated blinds**

Width (A)	min.	300 mm
	max.	1500 mm
Width (B 1)	max.	130 mm
Overhang (BK / B2K)	min.	100 mm
	max.	1200 mm
Height (H)	min.	300 mm
	max.	2000 mm
Angle (W)	min.	15°
	max.	70°

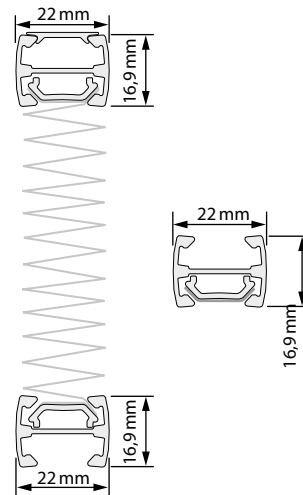
**Limit dimensions of pleated blinds**

Width (A)	min.	300 mm
	max.	1500 mm
Width (B 1)	max.	130 mm
Overhang (BK / B2K)	min.	100 mm
	max.	1000 mm
Height (H)	min.	300 mm
	max.	2000 mm
Angle (W)	min.	15°
	max.	70°

Note: Maximum difference between angles (W) left/right 25°.

**Package height**

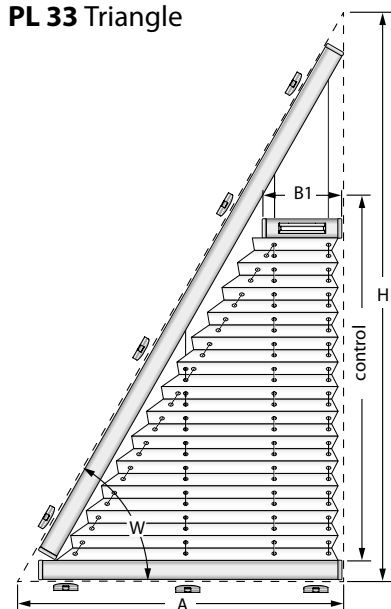
Blind height	Package height
500 mm	ca. 60 mm
1000 mm	ca. 70 mm
1500 mm	ca. 80 mm
2000 mm	ca. 90 mm



**Profiles colors**

- white matt
- silver
- bronze
- black-brown
- anthracite matt

### PL 33 Triangle



**Note**

- Larger height (H) can be either on the left, or on the right.
- Fixed tension wires, UV-resistant, made of steel wire with black sheathing  
Max. distance 25 cm.
- Optionally with a control rod (surcharge).
- Angled or horizontal fitting is possible.
- \* As the profile is located in the corners, there will be unshaded areas. These areas are not a reason for complaint.

**Limit dimensions of pleated blinds**

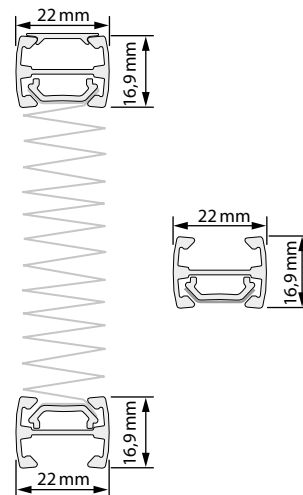
Width (A)	min.	300 mm
	max.	1200 mm
Width (B 1)	max.	80 mm
Height (H)	min.	300 mm
	max.	2000 mm
Angle (W)	min.	15°
	max.	70°

**Limit dimensions of pleated blinds**

Width (A)	min.	300 mm
	max.	1200 mm
Width (B 1)	max.	100 mm
Height (H)	min.	300 mm
	max.	2000 mm
Angle (W)	min.	15°
	max.	70°

**Package height**

Blind height	Package height
500 mm	ca. 60 mm
1000 mm	ca. 70 mm
1500 mm	ca. 80 mm
2000 mm	ca. 90 mm



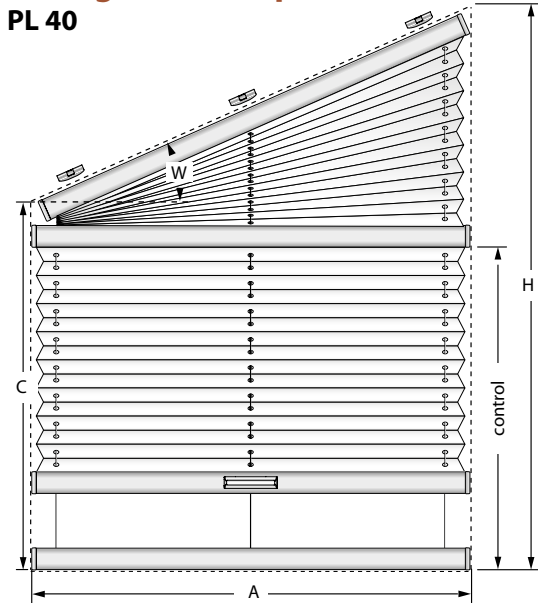
**Profiles colors**

- white matt
- silver
- bronze
- black-brown
- anthracite matt



## Ceiling-mounted plisse blinds for special shapes of windows

### PL 40



#### Limit dimensions of pleated blinds

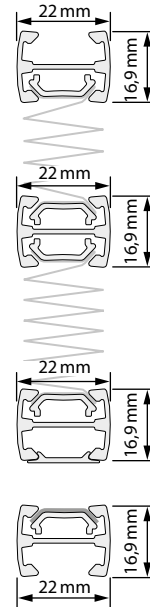
Width (A)	min.	300 mm
to angle 45°	max.	1500 mm
to angle 60°	max.	1100 mm
Slope width	max.	2300 mm
Height 1 (H)	min.	300 mm
	max.	4000 mm
Height 2 (C)	min.	100 mm
	max.	2000 mm
Angle (W)	min.	5°
	max.	60°

#### Limit dimensions of pleated blinds

- Cannot be supplied with honeycomb pleated blinds.

#### Package height

Blind height	Package height
500 mm	ca. 60 mm
1000 mm	ca. 70 mm
1500 mm	ca. 80 mm
2000 mm	ca. 90 mm
2500 mm	ca. 100 mm
3000 mm	ca. 110 mm
3500 mm	ca. 120 mm
4000 mm	ca. 130 mm



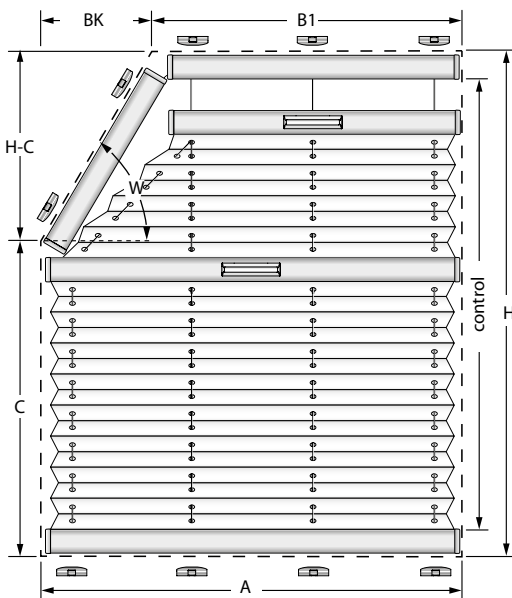
#### Note

- Larger height (H) can be either on the left, or on the right.
- Fixed tension wires, UV-resistant, made of steel wire with black sheathing  
Max. distance 250 mm.
- Angled or horizontal fitting is possible.
- Optionally with a control rod (surcharge).

#### Profiles colors

- white matt
- black-brown
- silver
- anthracite matt
- bronze

### PL 41 Pentagon



#### Limit dimensions of pleated blinds

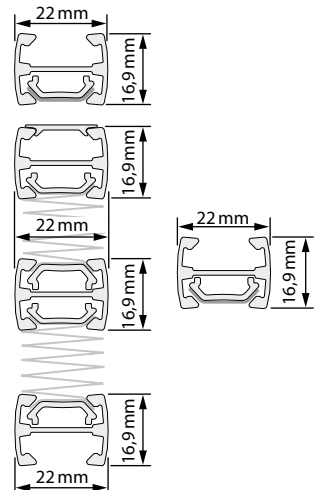
Width (A)	min.	300 mm
	max.	1500 mm
Small width (B 1)	min.	90 mm
	max.	1450 mm
Overhang (BK / B2K)	min.	50 mm
	max.	1200 mm
Height 1 (H)	min.	300 mm
	max.	4000 mm
Height 2 (C)	min.	100 mm
Height 3 (H-C)	max.	2000 mm
Angle (W)	min.	15°
	max.	70°

#### Limit dimensions of honeycomb pleated blinds

Width (A)	min.	300 mm
	max.	1500 mm
Small width (B 1)	min.	130 mm
	max.	1450 mm
Overhang (BK / B2K)	min.	50 mm
	max.	1000 mm
Height 1 (H)	min.	300 mm
	max.	4000 mm
Height 2 (C)	min.	100 mm
Height 3 (H-C)	max.	2000 mm
Angle (W)	min.	15°
	max.	70°

#### Package height

Blind height	Package height
500 mm	ca. 80 mm
1000 mm	ca. 90 mm
1500 mm	ca. 100 mm
2000 mm	ca. 110 mm



#### Note

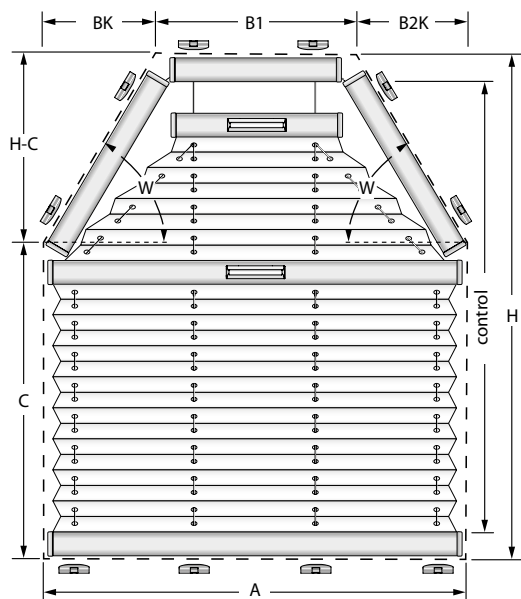
- \* Larger height (H) can be either on the left, or on the right.
- B 1 + B k always add up to width A.
- Fixed tension wires, UV-resistant, made of steel wire with black sheathing  
Max. distance 25 cm.
- Optionally with a control rod (surcharge).
- Angled or horizontal fitting is possible.

#### Profiles colors

- white matt
- black-brown
- silver
- anthracite matt
- bronze

# Ceiling-mounted plisse blinds for special shapes of windows

## PL 42 Hexagon



### Limit dimensions of pleated blinds

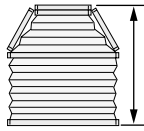
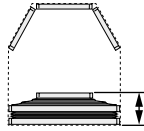
Width (A)	min.	300 mm
	max.	1500 mm
Small width (B 1)	min.	100 mm
	max.	1400 mm
Overhang (BK / B2K)	min.	50 mm
	max.	1200 mm
Height 1 (H)	min.	300 mm
	max.	4000 mm
Height 2 (C)	min.	100 mm
Height 3 (H-C)	max.	2000 mm
Angle (W)	min.	15°
	max.	70°

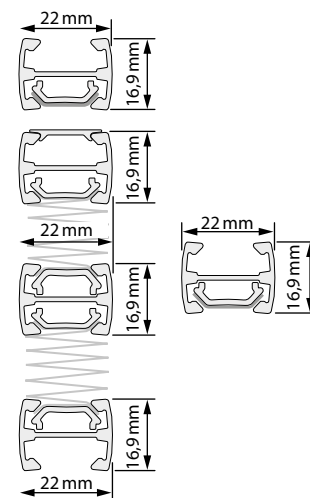
### Limit dimensions of honeycomb pleated blinds

Width (A)	min.	300 mm
	max.	1500 mm
Small width (B 1)	min.	150 mm
	max.	1400 mm
Overhang (BK / B2K)	min.	50 mm
	max.	1000 mm
Height 1 (H)	min.	300 mm
	max.	4000 mm
Height 2 (C)	min.	100 mm
Height 3 (H-C)	max.	2000 mm
Angle (W)	min.	15°
	max.	70°

Note: Maximum difference between angles (W) left/right 25°.

### Package height

Blind height	Package height
	
500 mm	ca. 80 mm
1000 mm	ca. 90 mm
1500 mm	ca. 100 mm
2000 mm	ca. 110 mm



### Note

- B 1 + B k+ B 2k always add up to width A.
- Fixed tension wires, UV-resistant, made of steel wire with black sheathing  
Max. distance 25 cm.
- Optionally with a control rod (surcharge).
- Angled or horizontal fitting is possible.
- Asymmetrical version is also possible.

### Profiles colors

- white matt     black-brown
- silver         anthracite matt
- bronze

# 6 PLISSE BLINDS WITH LATERAL GUIDES

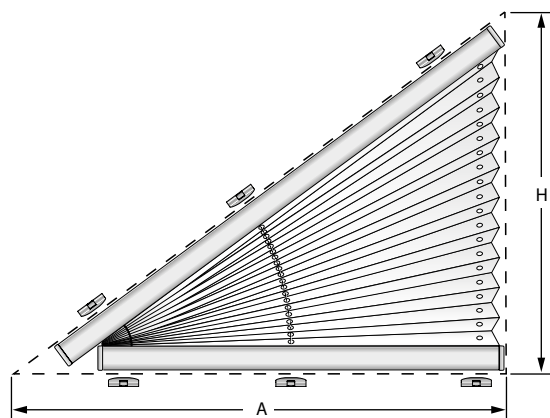
for triangular and arch windows



**ISOTRA** *Quality*

## Plisse blinds with lateral guides for triangular and arch windows

### SD 2 fixed triangle



#### Limit dimensions of pleated blinds

Width (A)	min.	200 mm
	max. <sup>1</sup>	1600 mm
Height (H)	min.	200 mm
	max.	1600 mm

<sup>1</sup> depends on the fabric width

#### Limit dimensions of honeycomb pleated blinds

- Cannot be supplied with honeycomb pleated blinds.

#### Note

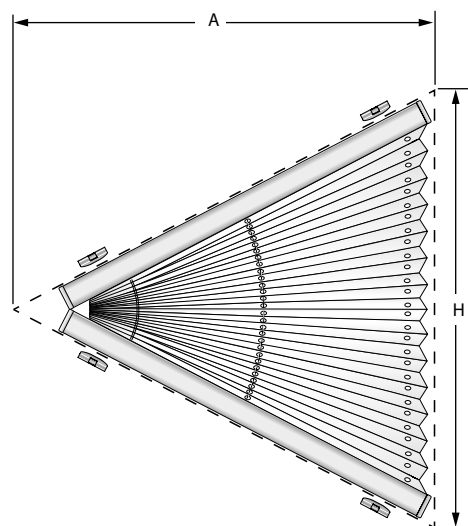
- Larger height (H) can be either on the left, or on the right.
- Vzhledem k tomu, že je profil umístěn v rozích vzniknou místa, která nejsou zastíněná. Tato místa nejsou důvodem k reklamaci.

#### Profiles colors

<input type="checkbox"/> white matt	<input type="checkbox"/> black-brown
<input type="checkbox"/> silver	<input type="checkbox"/> anthracite matt
<input type="checkbox"/> bronze	



### SD 3 Fixed triangle



#### Limit dimensions of pleated blinds

Width (A)	min.	200 mm
	max.	2000 mm
Slope width	max.	2300 mm
Height (H)	min.	200 mm
	max.	2000 mm

#### Limit dimensions of honeycomb pleated blinds

- Cannot be supplied with honeycomb pleated blinds.

#### Note

- Vzhledem k tomu, že je profil umístěn v rozích vzniknou místa, která nejsou zastíněná. Tato místa nejsou důvodem k reklamaci.

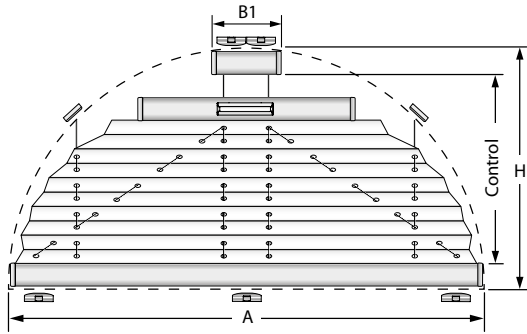
#### Profiles colors

<input type="checkbox"/> white matt	<input type="checkbox"/> black-brown
<input type="checkbox"/> silver	<input type="checkbox"/> anthracite matt
<input type="checkbox"/> bronze	



# Plisse blinds with lateral guides for triangular and arch windows

## SR 1 S moving semi-circle



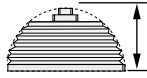
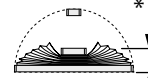
### Limit dimensions of pleated blinds

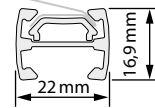
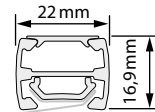
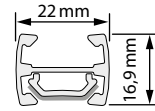
Width (A)	min.	300 mm
	max.	1500 mm
Rail width (B 1)		ca. 80 mm
Height (H)	min.	300 mm
	max.	1500 mm

### Limit dimensions of honeycomb pleated blinds

Width (A)	min.	300 mm
	max.	1200 mm
Rail width (B 1)		ca. 80 mm
Height (H)	min.	300 mm
	max.	1200 mm

### Package height

Blind height	Package height
	
500 mm	ca. 50 mm
1000 mm	ca. 60 mm
1500 mm	ca. 70 mm



### Note

- Due to the rounded shape and diagonal cord guiding, the ends of the blind slightly arch upwards when the blind is rolled up. This is a technological feature and is not a ground for complaint.

### Profiles colors

- white matt
- silver
- bronze
- black-brown
- anthracite matt

\* As the profile is located in the corners, there will be unshaded areas. These areas are not a reason for complaint.

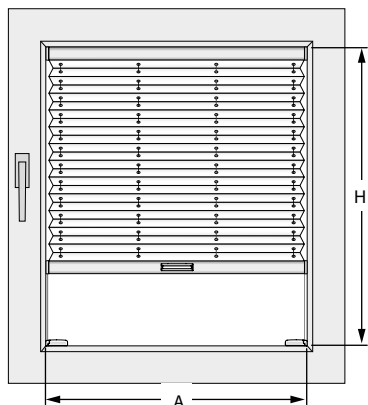
\*\* For windows whose shape is not an exact semicircle or quarter-circle, please provide a dimension sketch and a template in 1:1 scale with final dimensions.

## Measuring

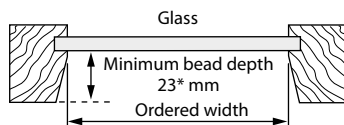
### Plisse blinds with lateral guides and free-hanging

#### CA - fitting to the window leaf

VS 1, VS 2, VS 3, VS 3 SD, F 1, F 2, F 3



#### Window beading – sloped:

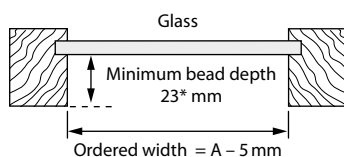


Due to possible dimensional tolerances of the windows, measure dimension A (width) in several places (points).

**Ordered width = A**

**Ordered height = H**

#### Window beading – straight:



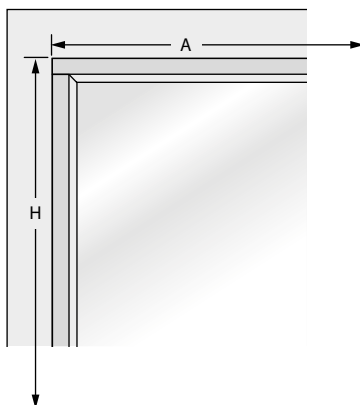
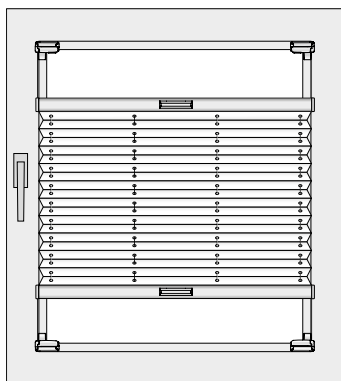
**Ordered width = A - 5 mm**

**Ordered height = H**

Possible size ranges are available on the pages for the individual models.

#### L - fitting to the glazing slot using an angle

Only for VS 2



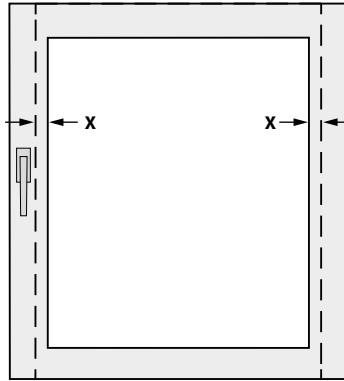
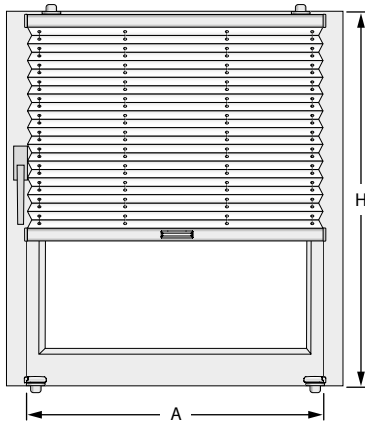
Measure the corner points of the glazing bead.

**Ordered width = A - 5 mm**


**Ordered height = H - 8 mm**

Possible size ranges are available on the pages for the individual models.

**BV - fitting to the window leaf without drilling using a clamp**  
**VS 1, VS 2, VS 3, VS 3 SD, F 1, F 2, F 3**



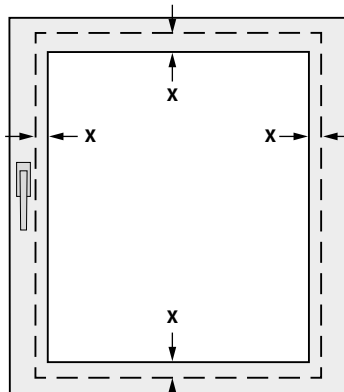
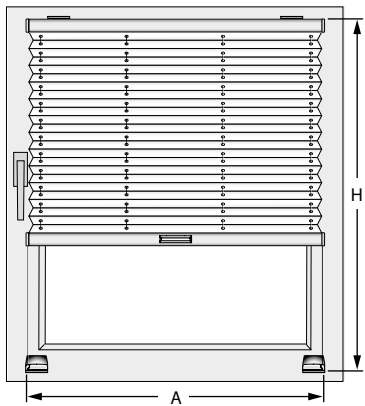
X = required overlap

 Check if it is possible use the clamp bracket with respect to the window fittings and distance from the windowsill. Window leaf thickness: max. 25 mm. Keep in mind the overlapping window fittings when measuring.

- Ordered width** = A including the required overlap (X)
- Ordered height** = for windows with protection against swinging and all VS: height minus 10 mm  
 = for windows without protection against swinging: height minus 5 mm

Possible size ranges are available on the pages for the individual models.

**CB - fitting to the window leaf using an angle**  
**VS 1, VS 2, VS 3, VS 3 SD, F 1, F 2, F 3**



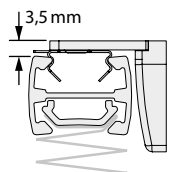
X = required overlap

Keep in mind the overlapping window fittings when measuring.

- Ordered width** = A including the required overlap (X)
- Ordered height** = H including the required overlap (X)
- X** = up and down min. 25 mm (= height of the wall angle)

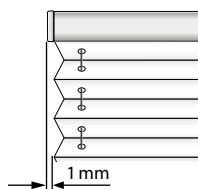
**Note**

- Height dimension = upper edge of the rail
- The ceiling mount and angle require additional 3.5 mm in total.



Possible size ranges are available on the pages for the individual models.

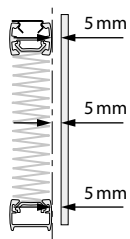
## Important note



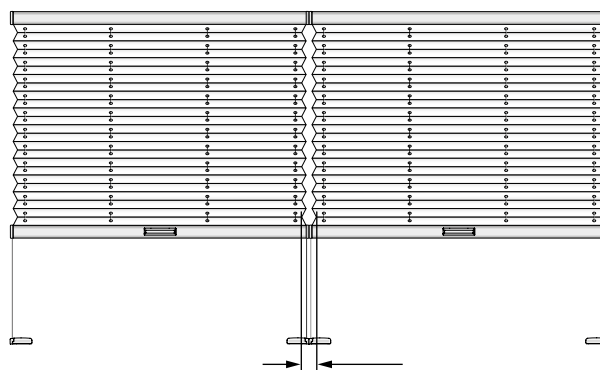
**Attention!**

Fabric width = rail width

**The end caps protrude 1 mm over the edge of the fabric!**



**Distance between the pleated blind and window pane: at least 5 mm!**



**In case of several blinds side by side:**

Light slit (fabric gap) between the blinds: approx. 5 mm.



**Specify fitting height for F 1 blind!**  
See also chapter „Child safety“



## Measuring- Plisse blinds with lateral guides and free-hanging for rectangular windows

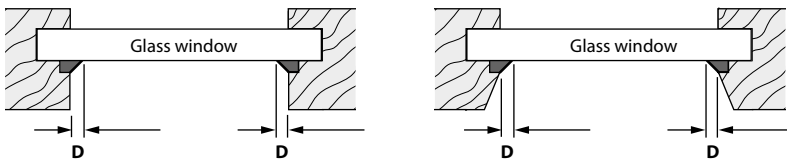
### KL - fitting to the glazing using an adhesive strip

VS 2 Slide Comfort, VS 2 KL



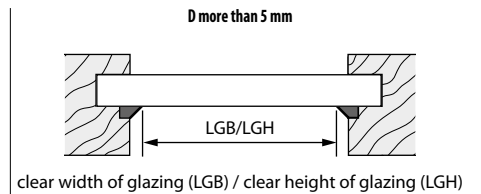
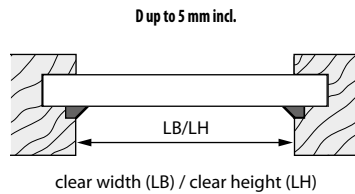
#### Measure the widths of "D" seals

on all four sides due to possible differences.



### Straight bead

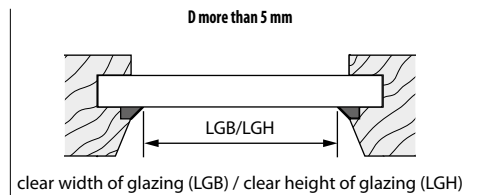
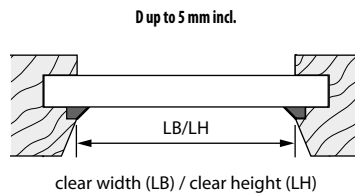
Deductions/allowances for the calculation of dimensions for ordering



Model	Width of seal (D) below 3 mm		Width seal (D) from 3 to 5 mm		Width seal (D) more than 5 mm	
	clear width (LB) clear height (LH)	- 5 mm - 2 mm	clear width (LB) clear height (LH)	- 5 mm - 2 mm	clear width (LGB) clear height (LGH)	+ 6 mm + 14 mm
VS 2 Slide Comfort	clear width (LB) clear height (LH)	- 5 mm - 2 mm	clear width (LB) clear height (LH)	- 5 mm - 2 mm	clear width (LGB) clear height (LGH)	+ 6 mm + 14 mm
VS 2 KL	clear width (LB) clear height (LH)	- 4 mm - 10 mm	clear width (LB) clear height (LH)	- 4 mm - 12 mm	clear width (LGB) clear height (LGH)	+ 7 mm - 2 mm

### Sloped bead

Deductions/allowances for the calculation of dimensions for ordering



Model	Width of seal (D) below 3 mm		Width seal (D) from 3 to 5 mm		Width seal (D) more than 5 mm	
	clear width (LB) clear height (LH)	- 5 mm + 8 mm	clear width (LB) clear height (LH)	- 5 mm + 4 mm	clear width (LGB) clear height (LGH)	+ 6 mm + 14 mm
VS 2 Slide Comfort	clear width (LB) clear height (LH)	- 5 mm + 8 mm	clear width (LB) clear height (LH)	- 5 mm + 4 mm	clear width (LGB) clear height (LGH)	+ 6 mm + 14 mm
VS 2 KL	clear width (LB) clear height (LH)	- 3 mm - 8 mm	clear width (LB) clear height (LH)	- 4 mm - 12 mm	clear width (LGB) clear height (LGH)	+ 7 mm - 2 mm

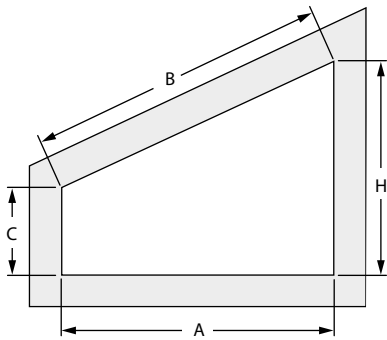
### Note

- The window pane must be dry and without grease, silicone and other impurities.
- Please respect the safety advice regarding the cleaning cloth.
- The optimal processing temperature is 15–35 °C (surface and ambience).
- Air bubbles in the surface are not a ground for complaint, unless the rail functionality is compromised.

# Measuring- Plisse blinds with lateral guides and free-hanging for vertical atypical windows

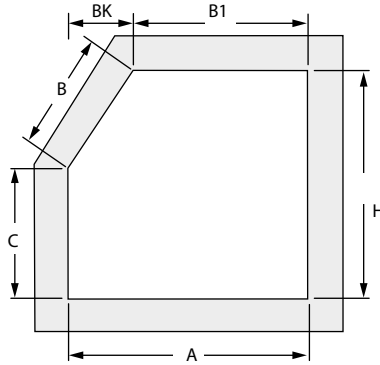
## CA - fitting to the window leaf

VS 4, VS 4 S,  
F Slope 1, F Slope 2



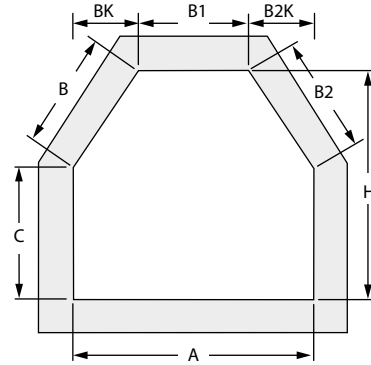
Dimensions for ordering\* = A, H and C

VS 5, VS 5 SD



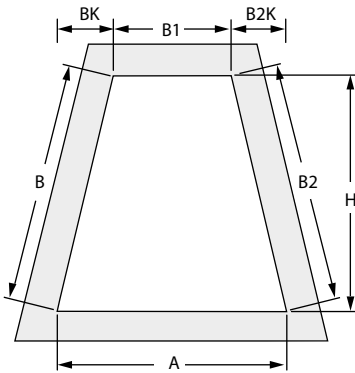
Dimensions for ordering\* = A, B1, BK, H and C

VS 6, VS 6 SD



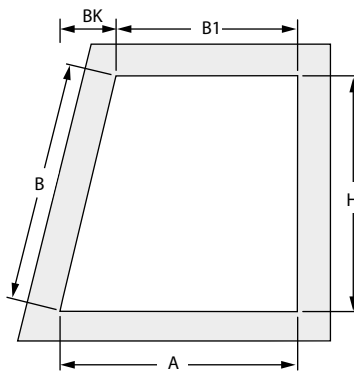
Dimensions for ordering\* = A, B1, BK, B2K, H and C

VS 7



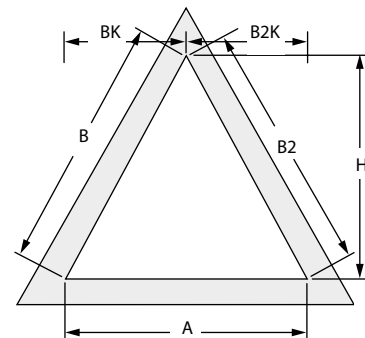
Dimensions for ordering\* = A, B1, BK, B2K, and H

VS 8



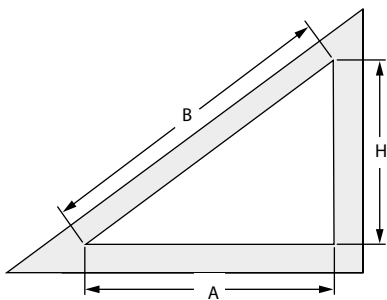
Dimensions for ordering\* = A, B1, BK, and H

VS 9



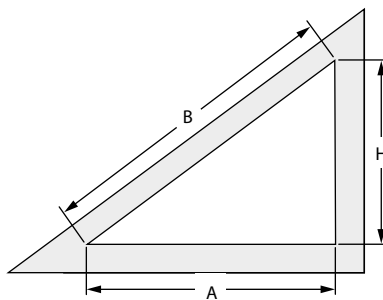
Dimensions for ordering\* = A, BK, B2K and H

VS 10



Dimensions for ordering\* = A, and H

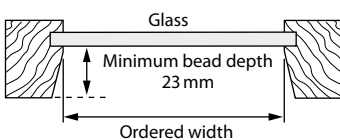
F Slope 3



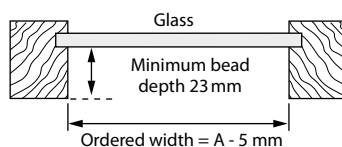
Dimensions for ordering\* = A, and H

### Please specify whether the bead is sloped or straight.

#### Window beading – sloped:



#### Window beading – straight:



Ordered width = A - 5 mm

Dimensions = clear dimensions! Due to possible dimensional tolerances of the window, please measure the dimension A (width) in several places/points.

**Check dimension = B, B2**

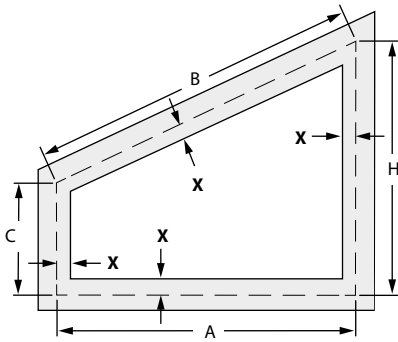
Possible size ranges are available on the pages for the individual models.

\* As the profile is located in the corners, there will be unshaded areas. These areas are not a reason for complaint.

# Measuring- Plisse blinds with lateral guides and free-hanging for vertical atypical windows

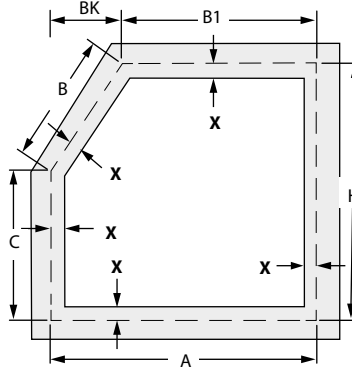
## CB - fitting to the window leaf using an angle

VS 4, VS 4 S,  
F Slope 1, F Slope 2



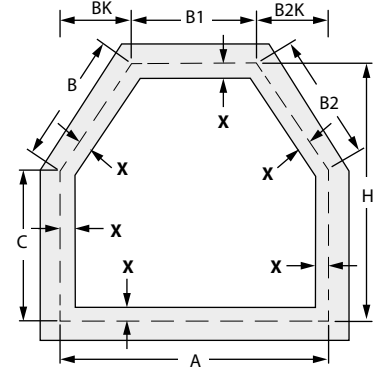
Dimensions for ordering\* = A, H and C

VS 5, VS 5 SD



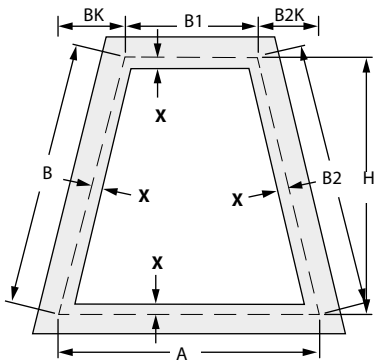
Dimensions for ordering\* = A, B1, BK, H and C

VS 6, VS 6 SD



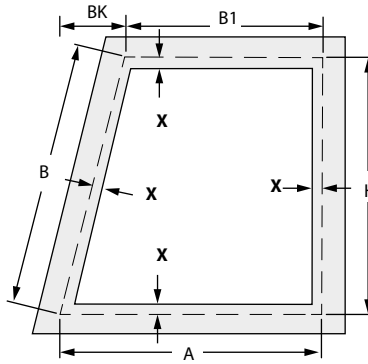
Dimensions for ordering\* = A, B1, BK, B2K, H and C

VS 7



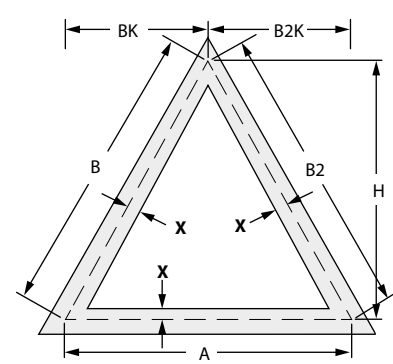
Dimensions for ordering\* = A, B1, BK, B2K, and H

VS 8



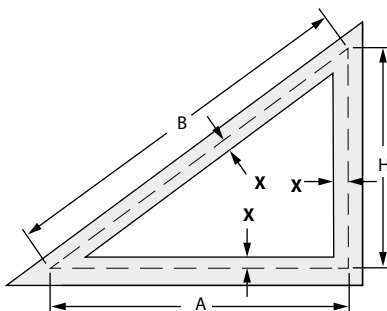
Dimensions for ordering\* = A, B1, BK, and H

VS 9



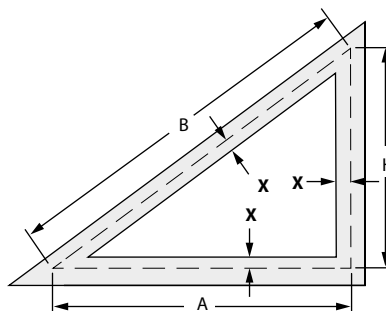
Dimensions for ordering\* = A, BK, B2K and H

VS 10



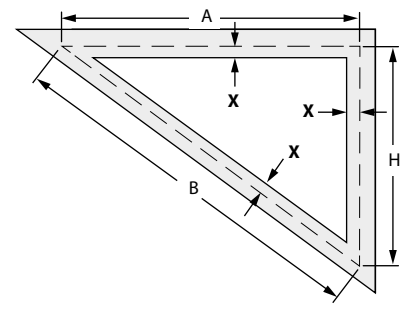
Dimensions for ordering\* = A, and H

F Slope 3



Dimensions for ordering\* = A, and H

F Slope 4



Dimensions for ordering\* = A, and H



Keep in mind the overlapping window fittings when measuring.

**Check dimension** = B, B2 including the required overlap (X)

**X = required overlap**

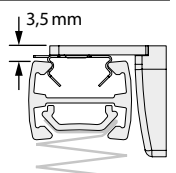
Specify all dimensions including the required overlap (X).

**X for fastening rails**

min. 25 mm (= wall angle height)

**Note**

- Height dimension = upper edge of the rail
- The ceiling mount and angle require additional 3.5 mm in total.



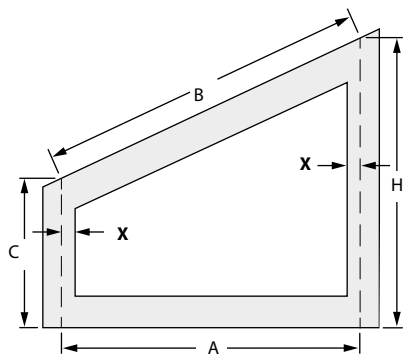
\* As the profile is located in the corners, there will be unshaded areas. These areas are not a reason for complaint.

Possible size ranges are available on the pages for the individual models.

## Measuring- Plisse blinds with lateral guides and free-hanging for vertical atypical windows

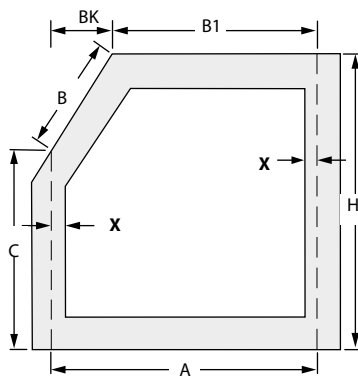
### BV - fitting to the window leaf without drilling using a clamp

VS 4, VS 4 S,  
F Slope 1, F Slope 2



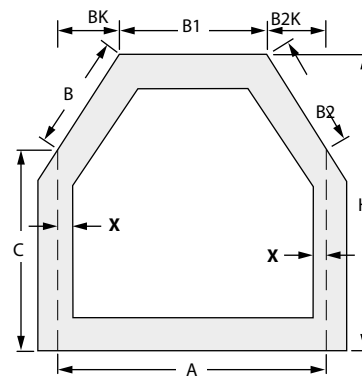
**Ordered width** = A  
**Ordered height** = H - 10 mm  
 C - 10 mm

VS 5, VS 5 SD




**Ordered width** = A, B1, BK and B2K  
 r.  
**Ordered height** = H - 10 mm,  
 C - 5 mm

VS 6, VS 6 SD



**Ordered width** = A, B1, BK and B2K  
 r.  
**Ordered height** = H - 10 mm  
 C - 5 mm

 Check if it is possible use the clamp bracket with respect to the window fittings and distance from the windowsill (window leaf thickness max. 25 mm). Keep in mind the overlapping window fittings when measuring.

**X = required overlap**  
 Specify all dimensions including the required overlap (X).

**Ordered height1** = window leaf height in the uppermost point of the ordered width (H)  
**Ordered height2** = window leaf height in the lowest point of the ordered width (C)  
**Check dimension** = B / B2 including the required overlap (X)

Possible size ranges are available on the pages for the individual models.

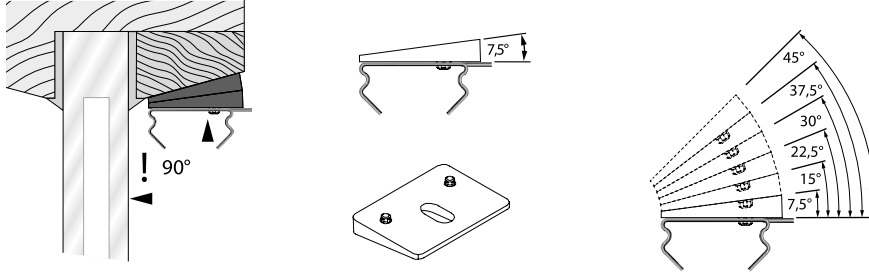
\* As the profile is located in the corners, there will be unshaded areas. These areas are not a reason for complaint.

## Measuring- Plisse blinds with lateral guides and free-hanging for vertical atypical windows

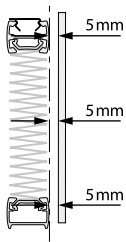
### Important note

#### Important note for the models VS 4 S and F Slope 2

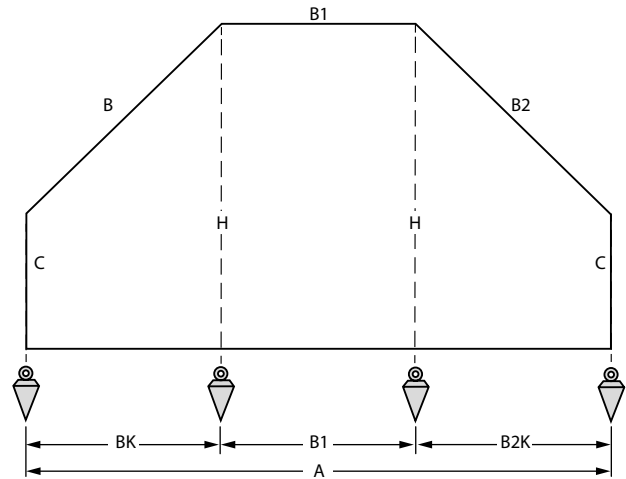
The VS 4 S and F Slope 2 blinds are equipped with a suspension between the upper control rail and the sloped rail. Fitting to a sloped glazing bead must unconditionally be made using compensating wedges, otherwise the middle, moveable rail protrudes to the surroundings!



Compensating wedge 7.5°, adaptable up to 45°

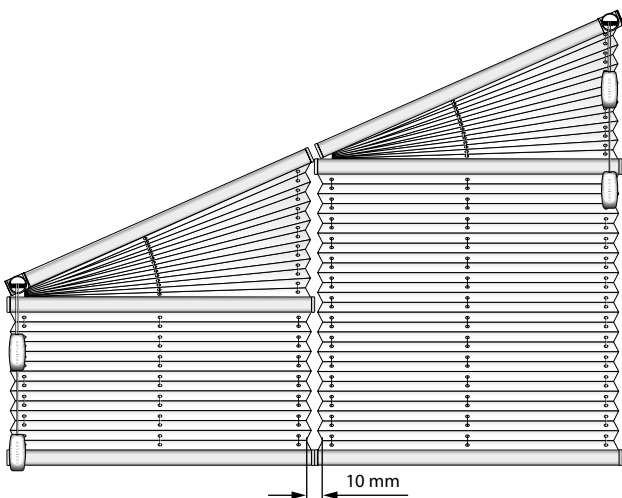


Distance between the pleated blind and window pane: at least 5 mm!



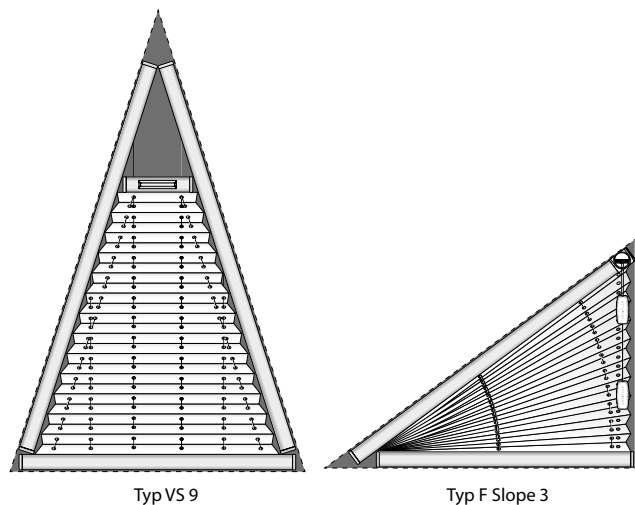
#### Measure precisely with a plumb line!

We recommend using a plumb line to achieve precise measurement results in case of atypical shapes.



#### In case of several blinds side by side:

Light slit (fabric gap) between the blinds: approx. 10 mm.  
The required profile spacing will be determined from the factory.

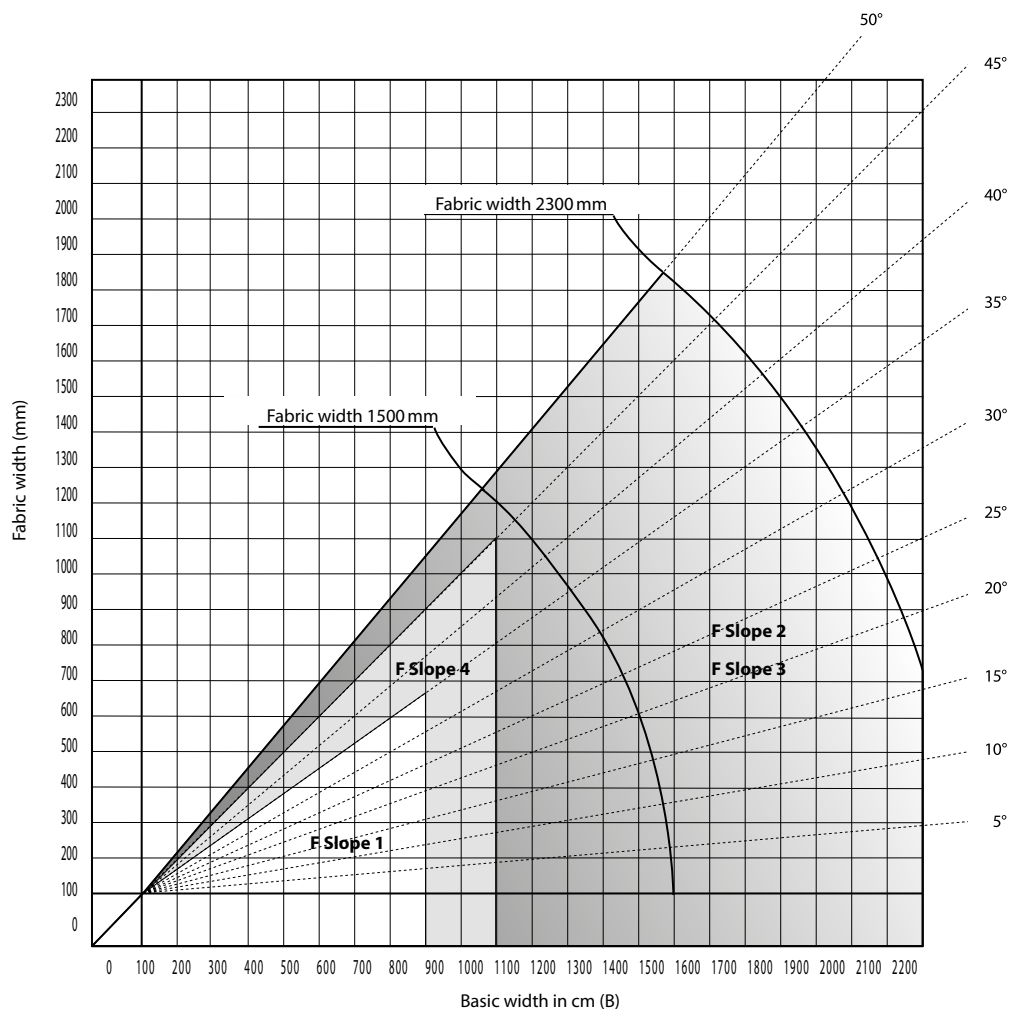


Due to the rail position, uncovered areas will appear in the corners!  
**Depending on the angle and type of blind, these areas vary and cannot be a ground for complaint.**

## Measuring- Plisse blinds with lateral guides and free-hanging for vertical atypical windows

### Important note

The fabric width to blind width ratio for model types F Slope 1, 2, 3 and 4



**The sharper is the angle, the smaller is the width.**

The slope angle has a considerable influence on the maximum blind width.

The diagram shows possible blind widths in proportion to the angle and fabric width.



**Specify fitting height for F Slope 1, 2, 3 and 4**

See also chapter „Child safety“

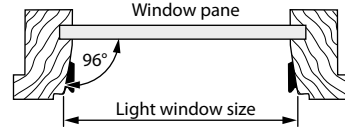
## Measuring- Plisse blinds for roof windows with side guide rails or side cover profiles

### Normalised types of roof windows

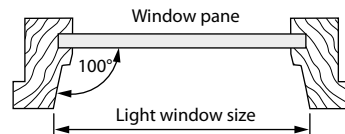
#### DF Comfort

#### Velux

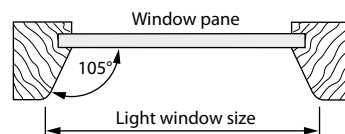
Type window A



Type window B



Typ GGU do června 2000



Assembly of pleated blinds si always done to the frame.

Over the years Velux changed several types of windows, without issuing new label types.

Please specify:

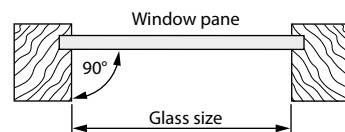
- **window brand**
- **type** (e.g. GGL)
- **dimensions** (e.g. FK06)

In addition to this, please provide a **light window dimensions** as the checking dimensions, measured at the front edge (see drawing).

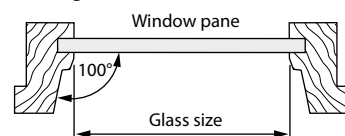
**Attention:** type DFC can not be assembled to windows GGL produced in June 2000.

#### Roto

Old design



New design



Assembly of pleated blinds si always done to the frame.

Company Roto produces 2 types of window frames.

Please specify:

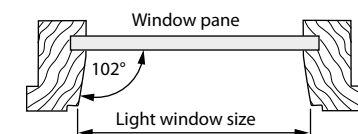
- **window brand**
- **type** (e.g. R7)
- **dimensions** (e.g. 7/11)

In addition to this, please provide a **light window dimensions** as the checking dimensions.

**Please note that the light dimensions are measured at the narrowest point for Roto windows** (see drawing).

#### Fakro

The wing is always with an oblique groove



Assembly of pleated blinds si always done to the frame.

Please specify:

- **window brand**
- **type** (e.g. FTS)
- **dimensions** (e.g. 66/98)

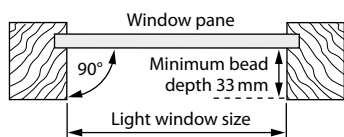
In addition to this, please provide a **light window dimensions** as the checking dimensions.

## Measuring- Plisse blinds for roof windows with side guide rails or side cover profiles

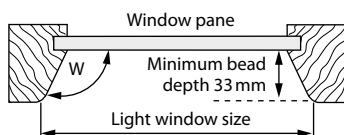
### Non-standard types of roof windows

#### DF Comfort

Leaf with a straight bead



Leaf with a sloped bead



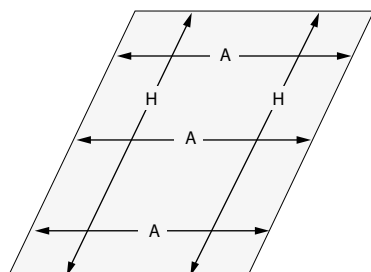
#### Note

The blind is always fitted to the bead.

Always specify the following in your order:

- Clear dimensions of the leaf, measured at the front edge (see drawing)
- Bead taper, i.e., the angle ( $W$ ) between the glass pane and the leaf frame

Possible size ranges are available on the pages for the individual models.

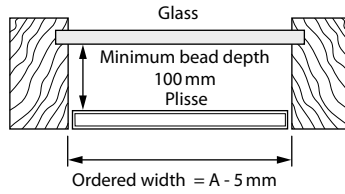
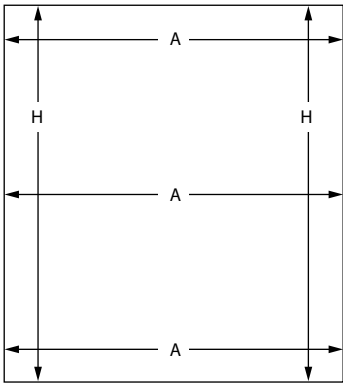



Due to possible dimensional tolerances, always measure **in several places/points!**



## Measuring- Ceiling-mounted plisse blinds for rectangular windows

### Fitting between the rafters -CA - fitting to the window leaf PL 11

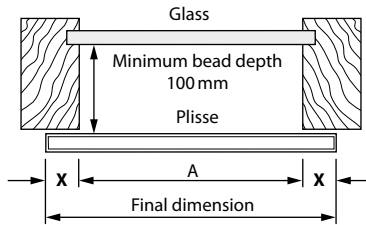
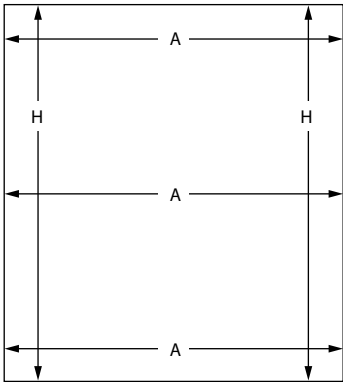


 Due to possible dimensional tolerances of the windows, always measure dimension B (width) in several places (points). Always use the smallest width measured. In length (dimension H), please take into account upper and lower vent slots, as well as the mounting profile thickness.


**Ordered width** = A minus 5 mm  
**Ordered height** = H minus vent slots and mounting profiles

Possible size ranges are available on the pages for the individual models.

### Fitting under the rafters - CB - fitting to the window leaf using an angle PL 11



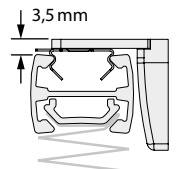
**X = required overlap**

 Due to possible dimensional tolerances of the windows, always measure dimension B (width) in several places (points). Always use the smallest width measured. In length (dimension H), please take into account upper and lower vent slots, as well as the mounting profile thickness.

**Ordered width** = A plus required overlap (X)  
**Ordered height** = H minus vent slots and mounting profiles

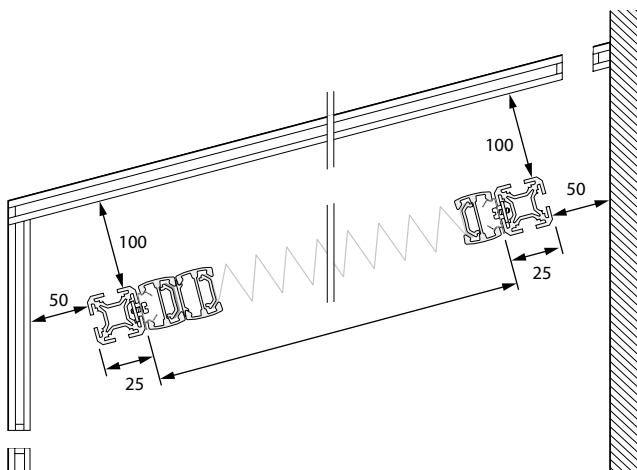
**Note**

- Height dimension = upper edge of the rail
- The ceiling mount and angle require additional 3.5 mm in total.



Possible size ranges are available on the pages for the individual models.

### Important note



Please take into account upper and lower vent slots.

### Ventilation

Cosiflor blinds installed in conservatories provide ideal and functional protection from the sun. The main precondition for this is sufficient ventilation as well as air circulation.

Water condensation will likely occur in case of insufficient ventilation of the conservatory.

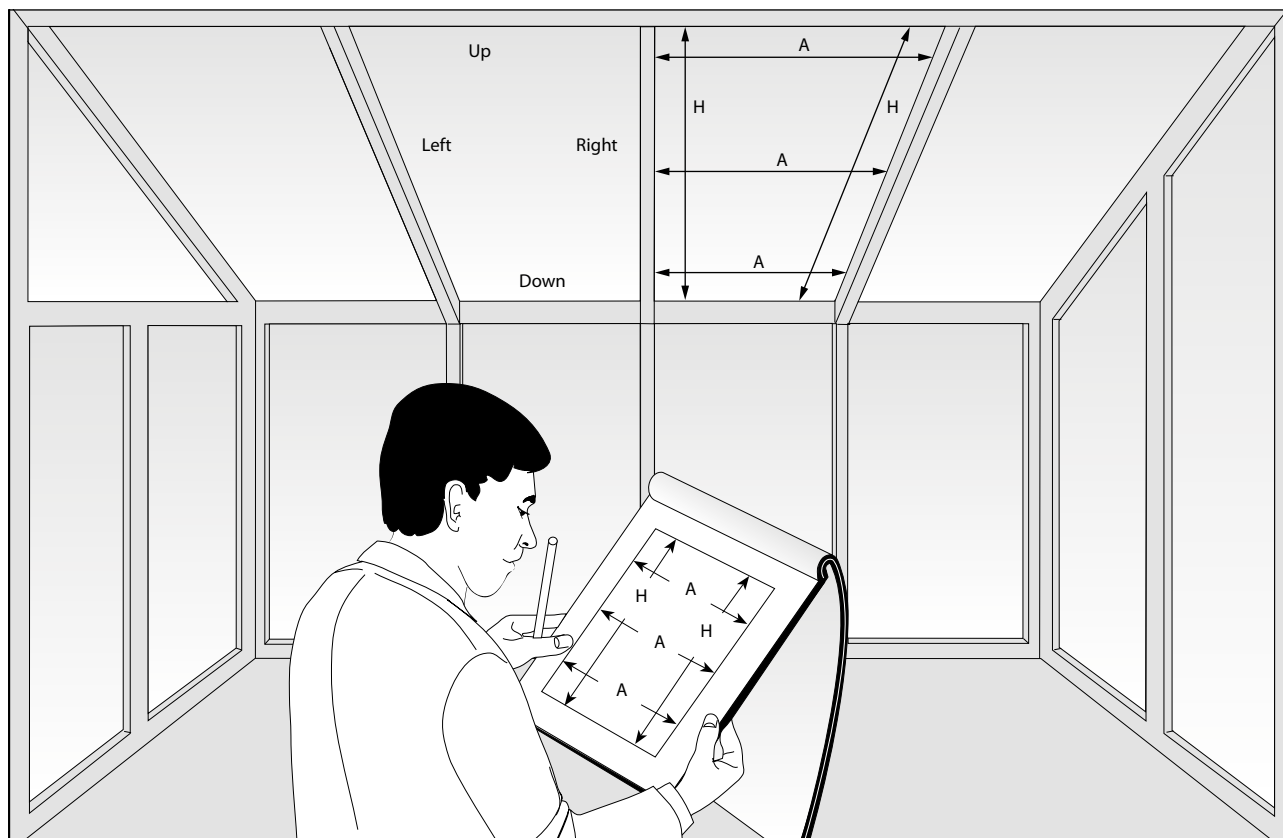
We cannot assume any warranty for damage to the fabric due to dripping water condensation or aggressive cleaning agents for windows coming into direct or indirect contact with the fabric. This also applies to damage caused by insects.

### Fitting distance

There should be at least 100 mm distance between the pleated blind and the glazing, and at least 50 mm between the mounting profile and the wall above and below, in order to ensure sufficient air circulation.

## Measuring- Ceiling-mounted plisse blinds for rectangular windows

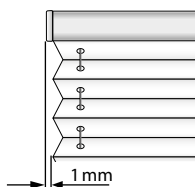
### Important note



Dimensions should always be measured from the inside!

#### Number of tension wires (black)

Width	number of tension wires
200 mm	2
300 mm	3
400 mm	3
500 mm	3
600 mm	4
700 mm	4
800 mm	5
900 mm	5
1000 mm	5
1100 mm	6
1200 mm	6
1300 mm	7
1400 mm	7
1500 mm	7



#### Attention!

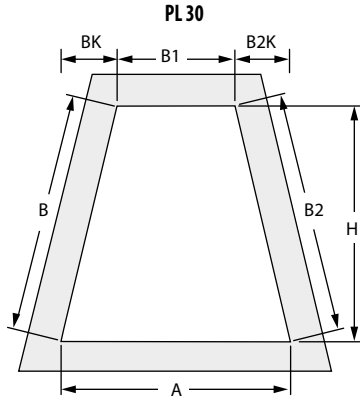
Fabric width = Rail width  
The end covers are overlapping!

#### Attention!

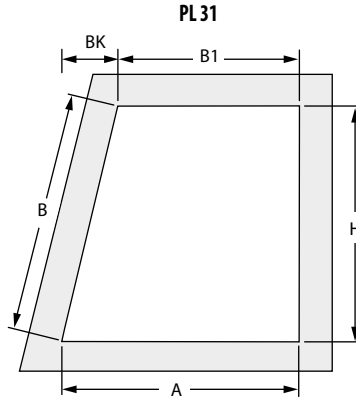
No warranty claims can be made in respect of glazing damage taking effect after the pleated blind installation.

## Measuring- Ceiling-mounted plisse blinds for atypical windows

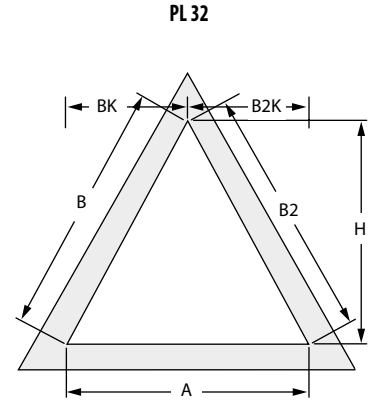
### Fitting between the rafters - CA - fitting to the window leaf



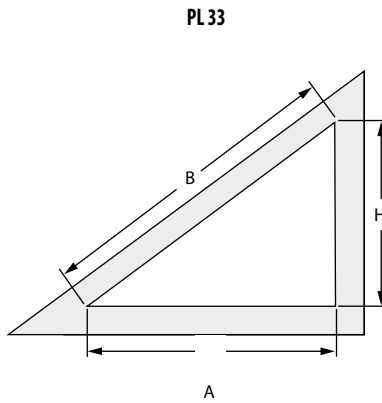
Dimensions for ordering\* = A, B1, B, B2K and H



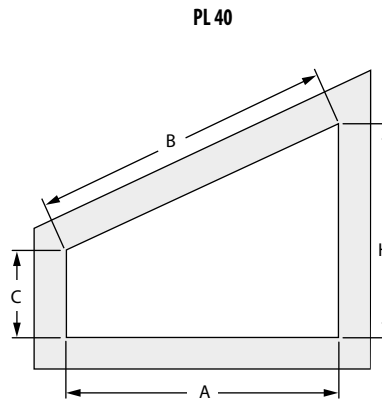
Dimensions for ordering\* = A, B1, BK and H



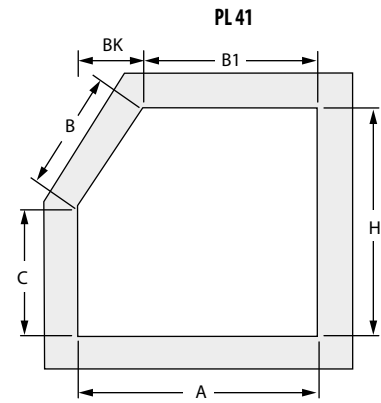
Dimensions for ordering\* = A, BK, B2K and H



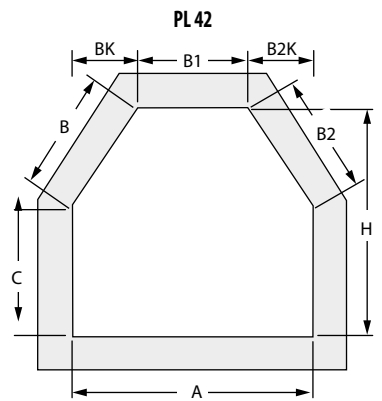
Dimensions for ordering\* = A a H



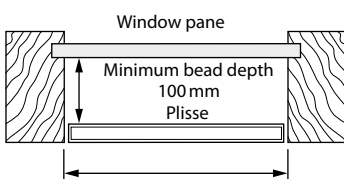
Dimensions for ordering\* = A, H and C




Dimensions for ordering\* = A, B1, BK, H and C



Dimensions for ordering\* = A, B1, BK, B2K, H and C



 In length (dimension H), please take into account upper and lower vent slots, as well as the mounting profile thickness. For precise measuring, we recommend to fit the mounting profiles beforehand.

**Ordered width** \* = clear dimensions  
**Ordered height** \* = H minus vent slots and mounting profiles  
 Check dimension =  $B / B2$   
**Check dimension** =  $B / B2$

\* Ordered width =  $A - 5 \text{ mm}$

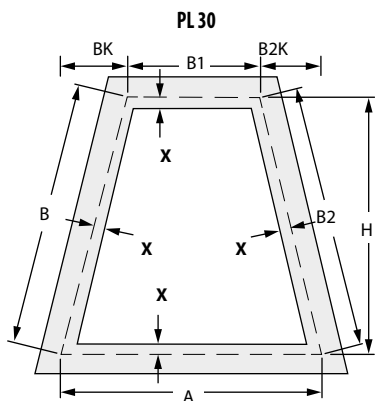
Please also pay attention to important notices in the chapter Ceiling pleats - important notes

Possible size ranges are available on the pages for the individual models.

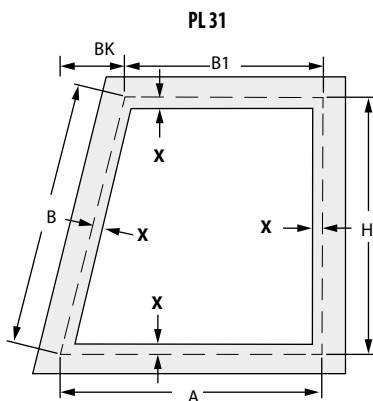
\* As the profile is located in the corners, there will be unshaded areas. These areas are not a reason for complaint.

## Measuring- Ceiling-mounted plisse blinds for typical windows

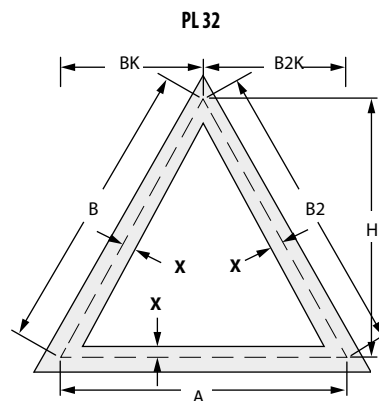
### Fitting under the rafters - CB - fitting to the window leaf using an angle



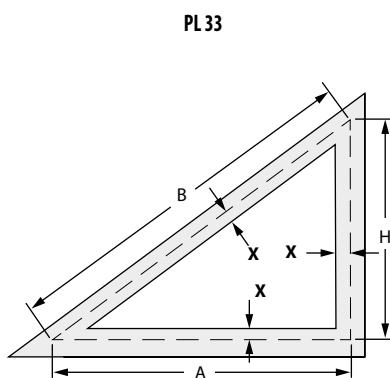
Dimensions for ordering\* = A, B1, B, B2K and H



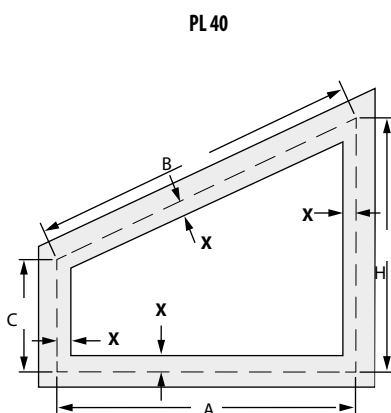
Dimensions for ordering\* = A, B1, BK and H



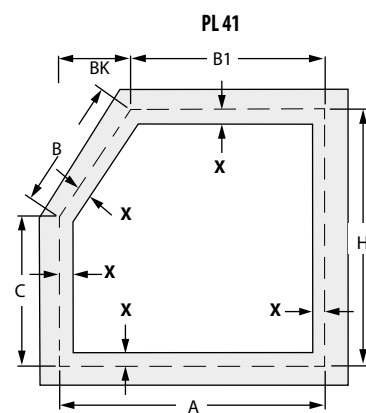
Dimensions for ordering\* = A, BK, B2K and H



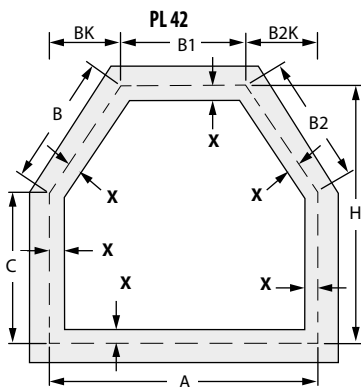
Dimensions for ordering\* = A a H



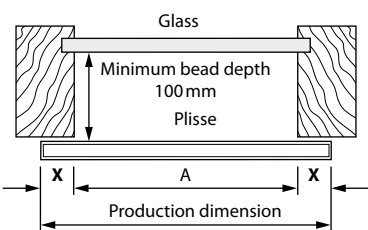
Dimensions for ordering\* = A, H and C



Dimensions for ordering\* = A, B1, BK, H and C



Dimensions for ordering\* = A, B1, BK, B2K, H and C



Keep in mind the overlapping window fittings when measuring.

In length (dimension H), please take into account upper and lower vent slots, as well as the mounting profile thickness. For precise measuring, we recommend to fit the mounting profiles beforehand.

**X = required overlap**

Please specify all dimensions including the required overlap (X).

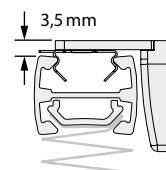
**X for fastening rails**

min. 25 mm (= height of wall angle)

**Check dimension = B / B2 incl. X**

**Note**

- Height dimension = upper edge of the rail
- The ceiling mount and angle require additional 3.5 mm in total.



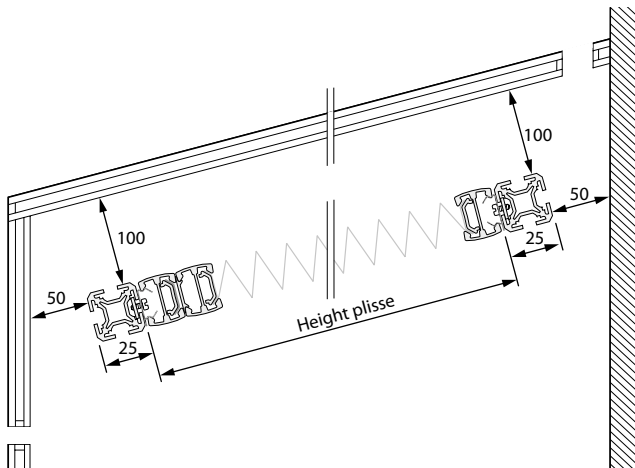
Please also pay attention to important notices in the chapter Ceiling pleats - important notes

Possible size ranges are available on the pages for the individual models.

\* As the profile is located in the corners, there will be unshaded areas. These areas are not a reason for complaint.

## Measuring- Ceiling-mounted plisse blinds for atypical windows

### Important note



### Ventilation

Cosiflor blinds installed in conservatories provide ideal and functional protection from the sun. The main precondition for this is sufficient ventilation as well as air circulation. Water condensation will likely occur in case of insufficient ventilation of the conservatory.

We cannot assume any warranty for damage to the fabric due to dripping water condensation or aggressive cleaning agents for windows coming into direct or indirect contact with the fabric. This also applies to damage caused by insects.

### Fitting distance

There should be at least 100 mm distance between the pleated blind and the glazing, and at least 50 mm between the mounting profile and the wall above and below, in order to ensure sufficient air circulation.

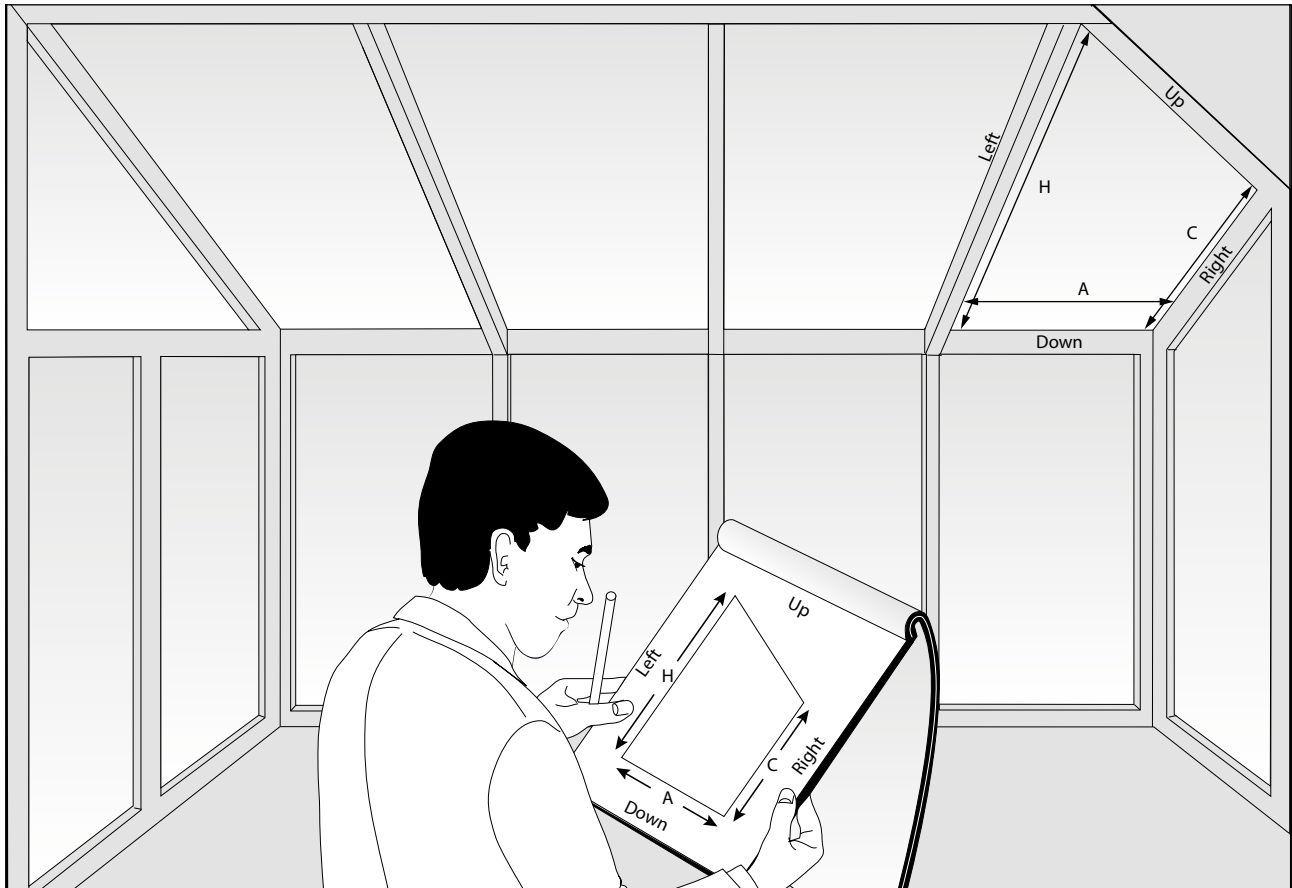
### Please take into account upper and lower vent slots.

#### Note

- Dimensions should always be measured from the inside!
- Black tension wires, distance max. 250 mm!

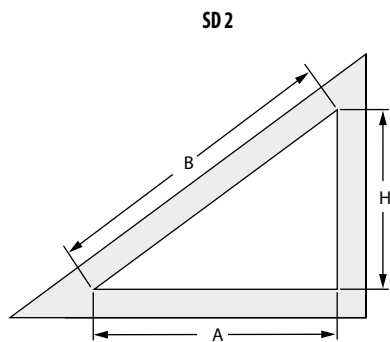
### Attention!

No warranty claims can be made in respect of glazing damage taking effect after the pleated blind installation.

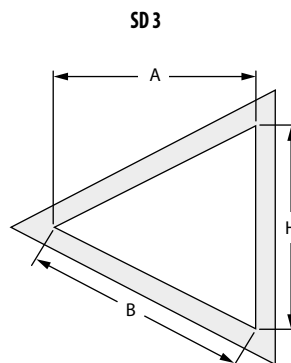


## Measuring- Plisse blinds with lateral guides for triangular windows and half-circular windows

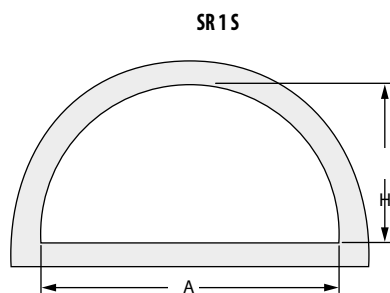
Fitting to the glazing slot - CA - fitting to the window leaf



Dimensions for ordering\* = A and H



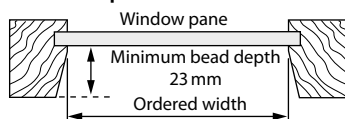
Dimensions for ordering\* = A, BK, B2K and H



Dimensions for ordering\* = A and H

Please specify whether the bead is sloped or straight.

Leaf with a sloped bead

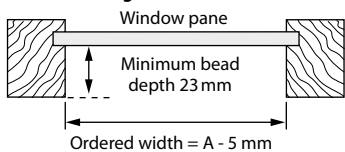


Dimensions = clear dimensions!

Check dimension = C

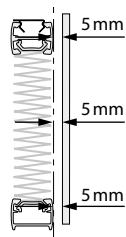
\* Ordered width =  $A - 5 \text{ mm}$

Leaf with a straight bead

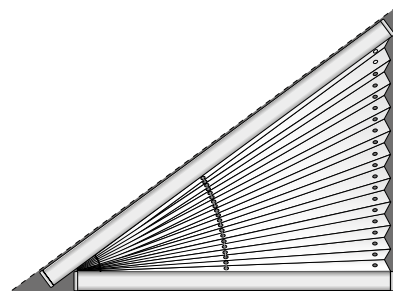


⚠ For windows whose shape is not an exact semicircle or quarter-circle, please provide a dimension sketch and a template in 1:1 scale with final dimensions.

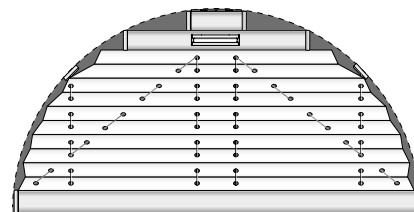
Possible size ranges are available on the pages for the individual models.



**Distance between the pleated blind and window pane: at least 5 mm!**  
**Attention**  
**In ceiling-mounted blinds**  
**Distance between the pleated blind and window pane: at least 100 mm!**



Type SD 2

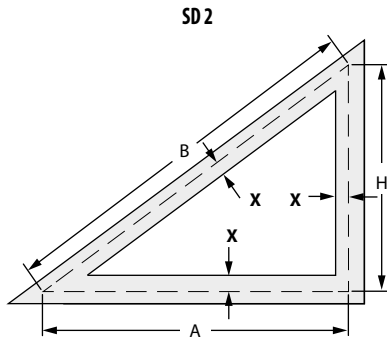


Type SR 1 S

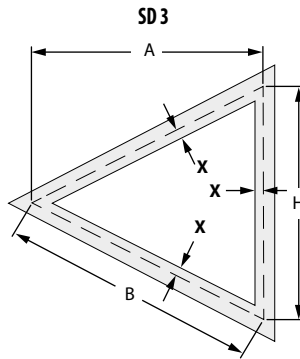
Due to the rail position, uncovered areas will appear in the corners!  
**Depending on the angle and type of blind, these areas vary and cannot be a ground for complaint.**

## Measuring- Plisse blinds with lateral guides for triangular windows and half-circular windows

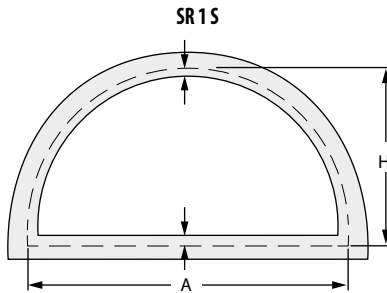
Fitting to the glazing slot - CB - fitting to the window leaf using an angle



Dimensions for ordering\* = A and H



Dimensions for ordering\* = A, BK, B2K and H



Dimensions for ordering\* = A and H

**Important note for the fitting to window leaf, with a wall angle.**



For windows whose shape is not an exact semicircle or quarter-circle, please provide a dimension sketch and a template in 1:1 scale with final dimensions. Keep in mind the overlapping window fittings when measuring.

**X = required overlap**

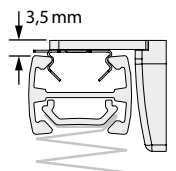
**X for fastening rails min. 25 mm**

(= height of the wall angle)

**Check dimension = B** (including the required overlap X)

**Note**

- Height dimension = upper edge of the rail
- The ceiling mount and angle require additional 3.5 mm in total.



Possible size ranges are available on the pages for the individual models.

\* As the profile is located in the corners, there will be unshaded areas. These areas are not a reason for complaint.